



6390 Philips Highway
Jacksonville, FL 32216
Phone (904) 737-7144

SPECIFICATION DATA SHEET

MODEL No. 3210-DS2 w/Scoop

CONICAL TAKEOFF WITH GASKET RING,
MANUAL VOLUME DAMPER WITH HANDLE STANDOFF,
SOLID ROD DAMPER AXIS AND SCOOP

Date: 01/04/13

Drawn by: M.D.C.

DIMENSIONAL DATA

SIZES AVAILABLE: 4" THROUGH 20" DIAMETER
ORDER BY BRANCH DUCT DIMENSION.
HOLE DIMENSION CUT IN TRUNK DUCT IS
2" GREATER THAN BRANCH DUCT.

FABRICATION DATA

MATERIAL:
FABRICATED FROM HOT DIPPED GALVANIZED
STEEL SHEETS PER ASTM-A653 CS TYPE B.

SIZE	BODY	DAMPER BLADE
4" - 8"	28 GA.	24 GA.
9" - 14"	26 GA.	24 GA.
16" - 20"	24 GA.	22 GA.

FEATURES

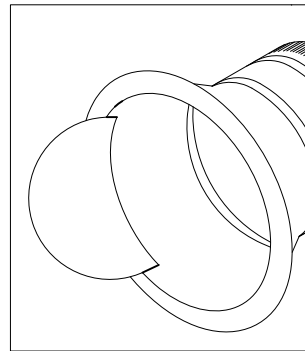
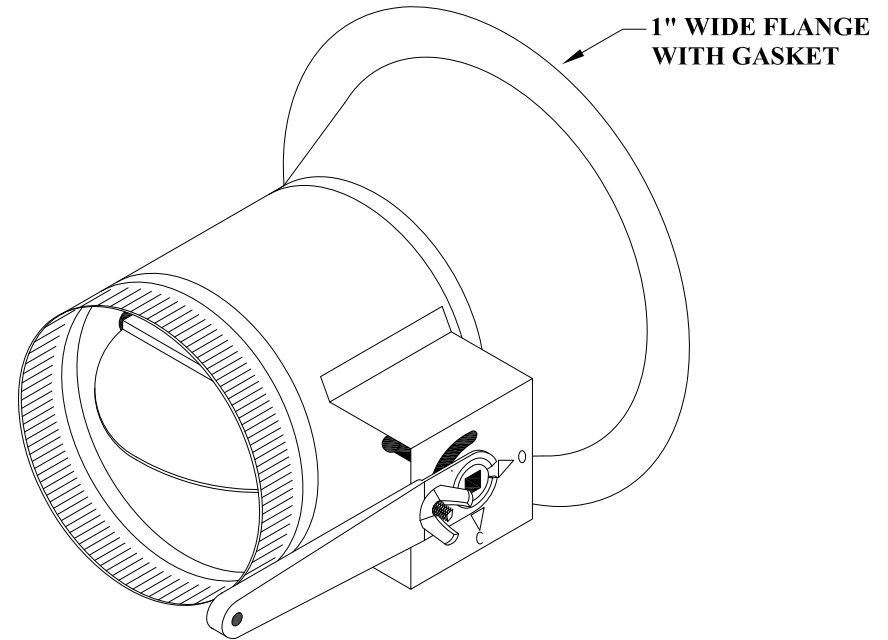
CONTINUOUS WELD LONGITUDINAL SEAM
FOR NO AIR LEAKAGE AT 2" W.G. STATIC
PRESSURE.

1" WIDE FLANGE WITH GASKET AND
PRE-DRILLED SCREW HOLES FOR EASE OF
INSTALLATION.

5 3/8" LONG COLLAR.

ALL SIZES: 3/8" CONTINUOUS ROD DAMPER
AXIS WITH LOCKING REGULATOR, NYLON
GROMMETS INSTALLED AT THE COLLAR
PENETRATIONS.

2" DAMPER HANDLE STANDOFF.
SCOOP.



OPTIONS

SPECIAL NOTES

RECOMMENDED INSTALLATION: DAMPER AXIS PARALLEL TO AIR FLOW.

MADE TO MEET S.M.A.C.N.A. GAUGE STANDARDS. MAXIMUM 2" W.G. STATIC PRESSURE SCHEDULE.
(S.M.A.C.N.A. HVAC DUCT CONSTRUCTION STANDARDS, SECOND EDITION-1995)

AVAILABLE: SIZES 4" - 8" FABRICATED FROM 26 GAUGE GALVANIZED STEEL (SPECIAL ORDER).