



6390 Philips Highway  
Jacksonville, FL 32216  
Phone (904) 737-7144

## SPECIFICATION DATA SHEET

Date: 03/05/19 rev.

Drawn by: M.D.C.

## MODEL No. 3200-DS2

SIZES 4" - 12" DIAMETERS  
CONICAL SPIN-IN,  
MANUAL VOLUME DAMPER with HANDLE STANDOFF,  
SOLID ROD DAMPER AXIS

### DIMENSIONAL DATA

SIZES AVAILABLE: 4" THROUGH 12"

CONICAL CONNECTION HOLE TO TRUNK DUCT IS APPROXIMATELY 2" GREATER THAN BRANCH DUCT DIMENSION.

5 3/8" LONG COLLAR.

### FABRICATION DATA

MATERIAL:  
HOT DIPPED GALVANIZED STEEL SHEET  
PER ASTM-A653 CS TYPE B.

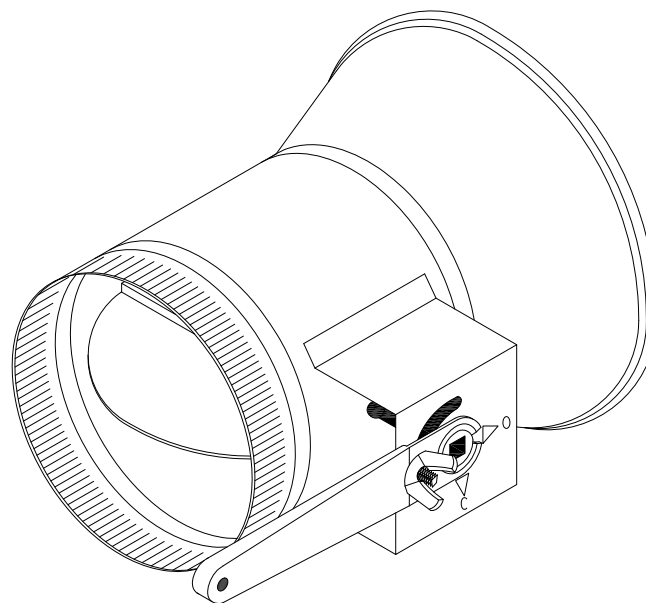
GAUGES:  
4" THROUGH 8" = 28 GAUGE  
9" THROUGH 12" = 26 GAUGE

### FEATURES

CONTINUOUS WELD LONGITUDINAL SEAM FOR NO AIR LEAKAGE @ 2" W.G. STATIC PRESSURE.

2" DAMPER HANDLE STANDOFF TO ALLOW CLEARANCE FOR EXTERNAL INSULATION.

DAMPER TO HAVE A 3/8" SQUARE CONTINUOUS ROD AXIS WITH LOCKING REGULATOR, NYLON GROMMETS INSTALLED AT THE COLLAR PENETRATIONS.



### OPTIONS

No. 3210: CONICAL TAKEOFF

No. 3210-D: CONICAL TAKEOFF WITH MANUAL VOLUME DAMPER

No. 3210-DS: CONICAL TAKEOFF WITH MANUAL VOLUME DAMPER AND STANDOFF

### SPECIAL NOTES

**NOTE BRANCH DUCT DIMENSION WHEN ORDERING.**

RECOMMENDED INSTALLATION: DAMPER AXIS PARALLEL TO AIR FLOW.

MADE TO MEET S.M.A.C.N.A. GAUGE STANDARDS. MAXIMUM 10" W.G. STATIC PRESSURE SCHEDULE. (S.M.A.C.N.A. HVAC DUCT CONSTRUCTION STANDARDS, THIRD EDITION-2005)