



6390 Philips Highway
Jacksonville, FL 32216
Phone (904) 737-7144

SPECIFICATION DATA SHEET

MODEL No. 315-DSO

TAKE OFF COLLAR FOR ROUND PIPE
WITH PEEL OFF GASKET, MANUAL VOLUME DAMPER
AND DAMPER HANDLE STANDOFF

Date: 05/23/19 rev.

Drawn by: M.D.C.

DIMENSIONAL DATA

DIAMETER	TO FIT PIPE SIZE
4"	8"
5"	9"-10"
6"	10"-12"
7"	10"-12"
8"	12"-14"
9"	12"-14"
10"	14"-16"
12"	16"-18"
14"	18"-20"
16"	20"

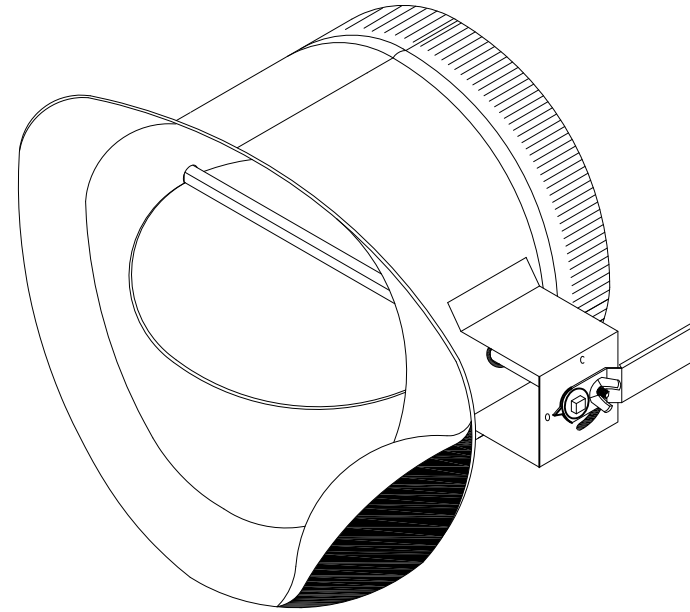
FABRICATION DATA

MATERIAL:
HOT DIPPED GALVANIZED STEEL SHEET
PER ASTM-A653 CS TYPE B.

GAUGES:
4" THROUGH 9" = 30 GAUGE
10" THROUGH 16" = 28 GAUGE

FEATURES

- 1 1/2" WIDE CONTOURED FLANGE WITH GASKET DESIGNED TO MOUNT ON ROUND PIPE.
- MANUAL VOLUME DAMPER INSTALLED.
- GASKET HAS PEEL-OFF PAPER.
- CRIMPED MALE CONNECTION FOR BRANCH DUCT.
- MANUAL VOLUME DAMPER WITH 1/4" CONTINUOUS ROD DAMPER AXIS WITH LOCKING REGULATOR, GROMMETS INSTALLED AT THE COLLAR PENETRATIONS.
- 2" DAMPER HANDLE STANDOFF.



SPECIAL NOTES

RECOMMENDED INSTALLATION: DAMPER AXIS PARALLEL TO AIR FLOW.