



6390 Philips Highway
Jacksonville, FL 32216
Phone (904) 737-7144

SPECIFICATION DATA SHEET

MODEL No. 314-DSO

TAKE OFF COLLAR FOR ROUND PIPE WITH
THERMA SEAL GASKET FLANGE, MANUAL VOLUME
DAMPER AND DAMPER HANDLE STANDOFF

Date: 05/23/19 rev.

Drawn by: M.D.C.

DIMENSIONAL DATA

DIAMETER	TO FIT PIPE SIZE
4"	8"
5"	9"-10"
6"	10"-12"
7"	10"-12"
8"	12"-14"
9"	12"-14"
10"	14"-16"
12"	16"-18"
14"	18"-20"
16"	20"

FABRICATION DATA

MATERIAL:
HOT DIPPED GALVANIZED STEEL SHEET
PER ASTM-A653 CS TYPE B.

GAUGES:
4" THROUGH 9" = 30 GAUGE
10" THROUGH 16" = 28 GAUGE

FEATURES

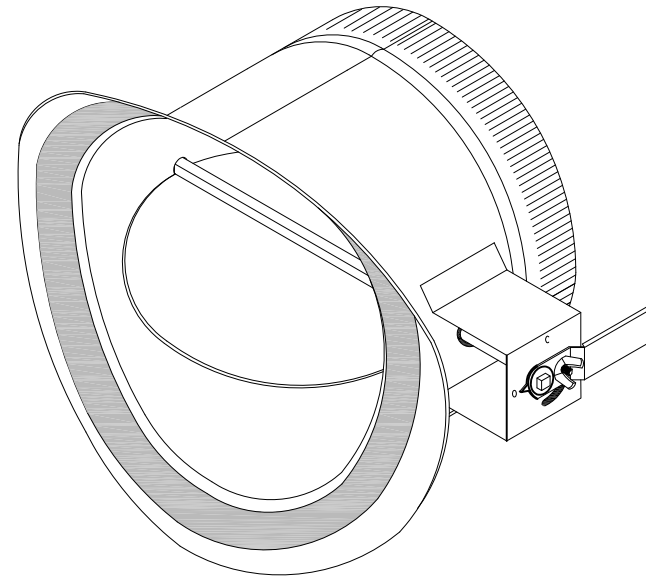
CONTOURED FLANGE WITH THERMA
SEAL GASKET DESIGNED TO MOUNT
TO ROUND PIPE.

CRIMPED MALE CONNECTION FOR BRANCH DUCT.

MANUAL VOLUME DAMPER INSTALLED.

MANUAL VOLUME DAMPER WITH 1/4" CONTINUOUS
ROD DAMPER AXIS WITH LOCKING REGULATOR,
GROMMETS INSTALLED AT THE COLLAR
PENETRATIONS.

2" DAMPER HANDLE STANDOFF.



SPECIAL NOTES

RECOMMENDED INSTALLATION: DAMPER AXIS PARALLEL TO AIR FLOW.

THERMA SEAL GASKET ATTACHED TO OUTBOARD FLANGE BEARS FIRE HAZARD CLASS 1, FLAME
SPREAD LESS THAN 25, SMOKE DENSITY LESS THAN 50.