



6390 Philips Highway
 Jacksonville, FL 32216
 Phone (904) 737-7144

SPECIFICATION DATA SHEET

Date: 11/17/20 rev. Drawn by: J.E.P.

MODEL No. 310

**TAKE OFF COLLAR FOR ROUND PIPE
 WITH GASKETED FLANGE**

DIMENSIONAL DATA

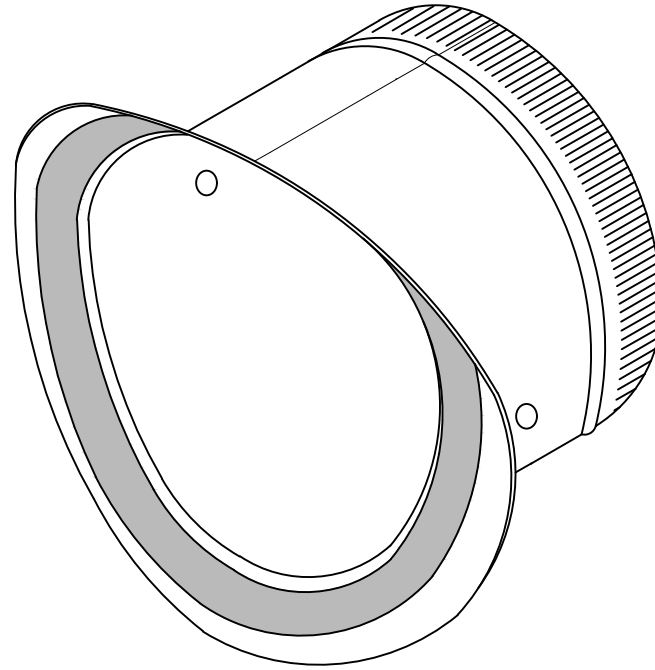
DIAMETER	TO FIT PIPE SIZE
4"	8"
5"	9"-10"
6"	10"-12"
7"	10"-12"
8"	12"-14"
9"	12"-14"
10"	14"-16"
12"	16"-18"
14"	18"-20"
16"	20"

FABRICATION DATA

MATERIAL:
 FABRICATED FROM HOT DIPPED GALVANIZED
 STEEL SHEETS PER ASTM-A653 CS TYPE B.
GAUGES:
 4" THROUGH 9" = 30 GAUGE
 10" THROUGH 16" = 28 GAUGE

FEATURES

CONTOURED FLANGE WITH 1/2" WIDE
 GASKET DESIGNED TO MOUNT
 TO ROUND PIPE.
 CRIMPED MALE CONNECTION FOR BRANCH DUCT.



OPTIONS

- No. 312: TAKE OFF FOR PIPE WITH
 1/2" WIDE GASKET AND SCOOP.
- No. 314: TAKEOFF FOR PIPE WITH 1/2" WIDE
 GASKET AND MANUAL VOLUME DAMPER.
- No. 316: TAKEOFF FOR PIPE WITH 1/2" WIDE
 GASKET, SCOOP AND MANUAL VOLUME
 DAMPER.

SPECIAL NOTES