



6390 Philips Highway
Jacksonville, FL 32216
Phone (904) 737-7144

SPECIFICATION DATA SHEET

Date: 04/13/20

Drawn by: M.D.C.

MODEL No. 275-DSO

MANUAL VOLUME DAMPER KIT WITH 2" STANDOFF

DIMENSIONAL DATA

SIZES AVAILABLE: 4" - 18" NOMINAL DIAMETER

ACTUAL DIAMETER: $\frac{3}{8}$ " UNDERSIZED

FABRICATION DATA

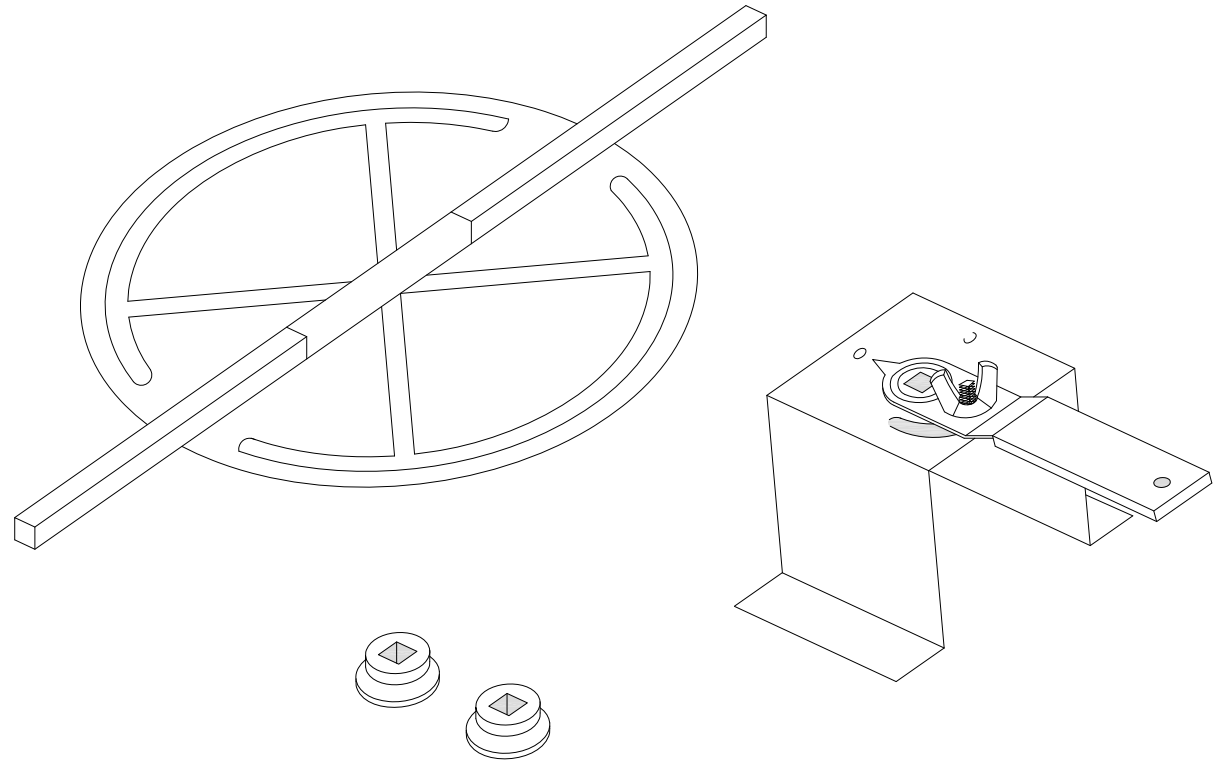
REINFORCED DAMPER BLADE 24 GAUGE
GALVANIZED STEEL.

$\frac{1}{4}$ " SQUARE ALUMINUM ROD DAMPER AXIS.

FEATURES

2" DAMPER HANDLE STANDOFF.

NYLON BUSHINGS.



OPTIONS

SPECIAL NOTES

$\frac{5}{8}$ " DIAMETER HOLE REQUIRED FOR THE NYLON BUSHINGS.