



6390 Philips Highway
Jacksonville, FL 32216
Phone (904) 737-7144

SPECIFICATION DATA SHEET

Date: 10/21/21

Drawn by: J.E.P.

MODEL No. 275-DSO

MANUAL VOLUME DAMPER KIT
WITH 2" STANDOFF

DIMENSIONAL DATA

SIZES AVAILABLE: 4" THROUGH 18"

ACTUAL DIAMETER: 3/8" UNDERSIZED

FABRICATION DATA

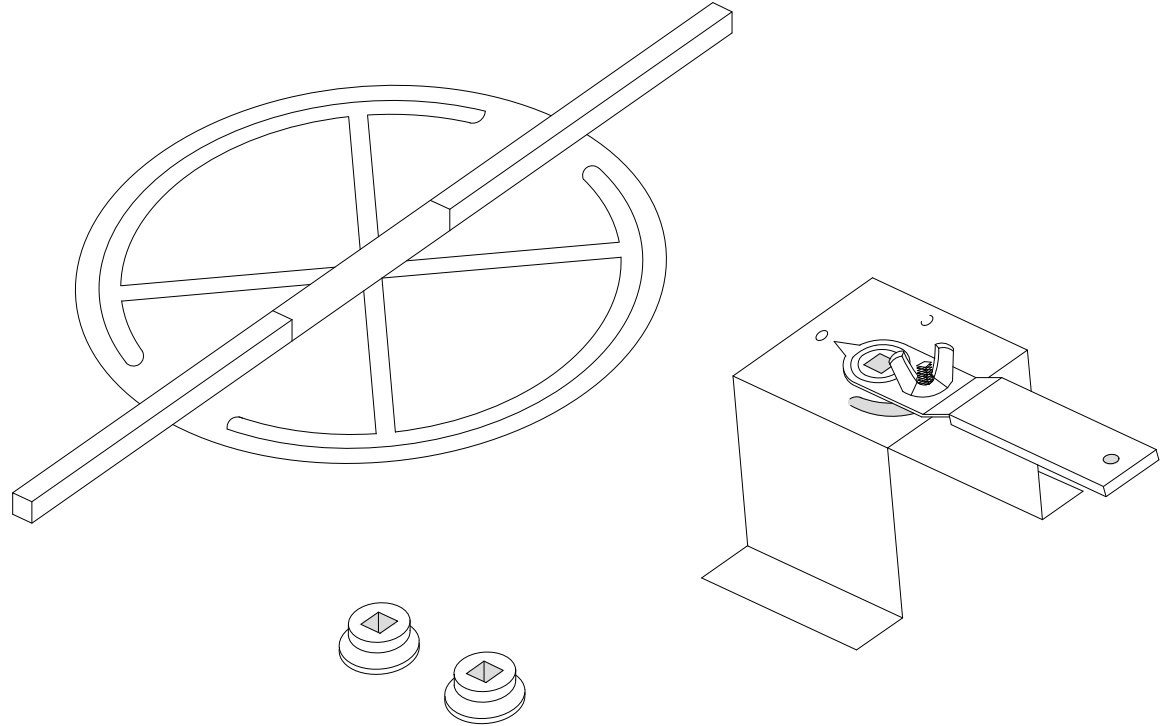
REINFORCED DAMPER BLADE 24 GAUGE
GALVANIZED STEEL

1/4" SQUARE ALUMINUM ROD DAMPER AXIS

FEATURES

2" DAMPER HANDLE STANDOFF

NYLON BUSHING



OPTIONS

SPECIAL NOTES

5/8" DIAMETER HOLE REQUIRED FOR THE NYLON BUSHINGS