



6390 Phillips Highway
Jacksonville, FL 32216
Phone (904) 737-7144

SPECIFICATION DATA SHEET

MODEL No. 265-AL

ALUMINUM
REDUCER / INCREASER

Date: 12/07/15

Drawn by: M.D.C.

DIMENSIONAL DATA

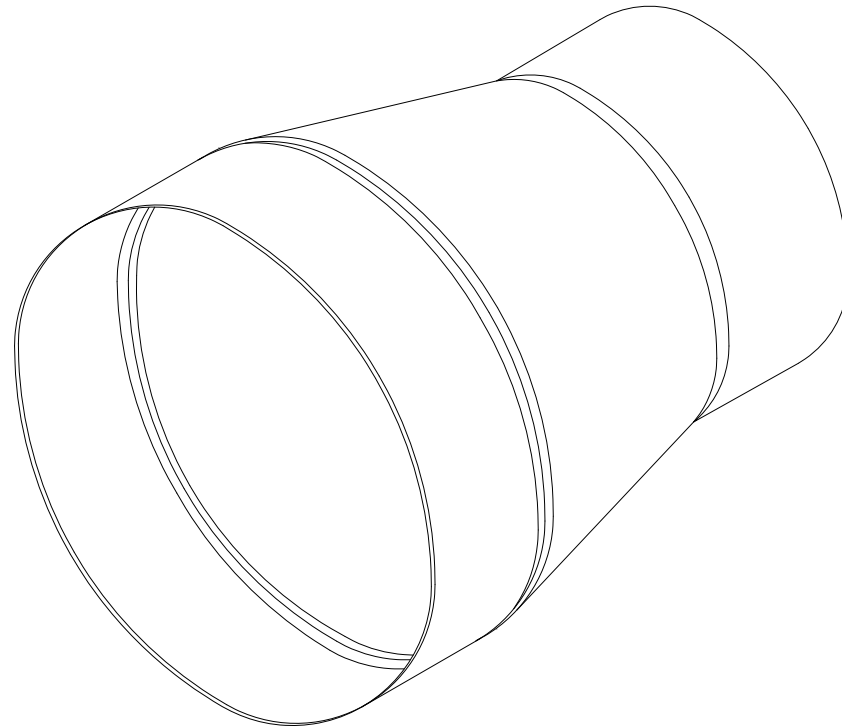
SIZES: 6" THROUGH 18" DIAMETER

FABRICATION DATA

MATERIAL: ALUMINUM SHEET 3003 H-14 ALLOY

DIAMETER:	AVAILABLE IN:
6" - 14"	.025" THICK
6" - 18"	.032" THICK

STEEL RIVETS MAY BE USED IN ASSEMBLY.



FEATURES

TRANSVERSE CONNECTIONS:
STRAIGHT FEMALE CONNECTION BOTH ENDS

OPTIONS

SPECIAL NOTES