



6390 Philips Highway
Jacksonville, FL 32216
Phone (904) 737-7144

SPECIFICATION DATA SHEET

MODEL No. 261-DS

6" LONG STARTING COLLAR FOR SHEET METAL
WITH DAMPER HANDLE STANDOFF

Date: 05/09/19 rev.

Drawn by: Don. JR.

DIMENSIONAL DATA

SIZES AVAILABLE: 4" THROUGH 18"

COLLAR OVERALL LENGTH: 6"

FABRICATION DATA

MATERIAL: FABRICATED FROM GALVANIZED
STEEL SHEET, ASTM-A653 CS TYPE B.

GAUGES: ALL SIZES 30 GAUGE.

RIVETED LONGITUDINAL SEAM.

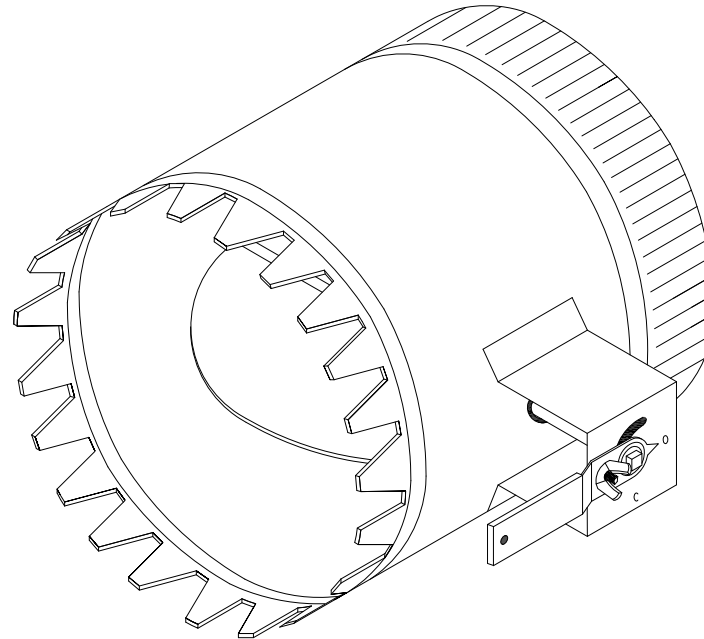
FEATURES

5/8" LONG DOVETAILS FOR EASE OF
INSTALLATION.

CRIMP AND BEAD MALE END FOR BRANCH
DUCT CONNECTION.

MANUAL VOLUME DAMPER WITH 1/4" CONTINUOUS
ROD DAMPER AXIS WITH LOCKING REGULATOR,
GROMMETS INSTALLED AT THE COLLAR
PENETRATIONS.

2" DAMPER HANDLE STANDOFF.



OPTIONS

SPECIAL NOTES

RECOMMENDED INSTALLATION: DAMPER AXIS PARALLEL TO AIR FLOW.