



6390 Philips Highway
Jacksonville, FL 32216
Phone (904) 737-7144

SPECIFICATION DATA SHEET

Model No. 243-FCRD

90° BOOT with CEILING RADIATION DAMPER INSTALLED

Date: 08/22/18

Drawn by: M.D.C.

DIMENSIONAL DATA

COMMON SIZES:

10" x 4" - 4" rd.
10" x 4" - 5" rd.
10" x 6" - 6" rd.
12" x 6" - 7" rd.
14" x 6" - 8" rd.

MINIMUM 5" STRAIGHT AWAY ON
RECTANGULAR END.

RADIATION DAMPER RECESSED 2" ON
RECTANGULAR END.

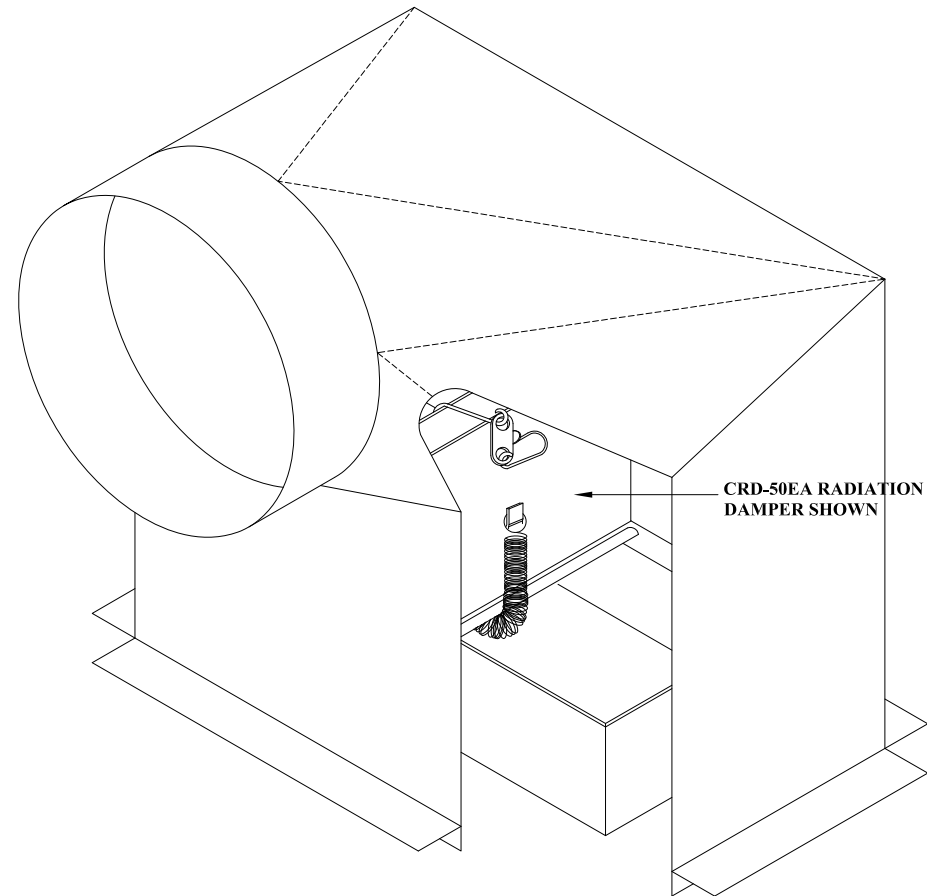
FABRICATION DATA

BOOT BODY FABRICATED FROM 30 GAUGE HOT
DIPPED GALVANIZED STEEL OF LOCK FORMING
QUALITY PER ASTM-A653 CS TYPE B.

FEATURES

LLOYD INDUSTRIES CEILING RADIATION DAMPER
CRD 50-4X USED IN 10" x 4" BOOTS. LLOYD
INDUSTRIES CRD-50EA USED IN OTHER SIZES.

DRYWALL FLANGE ON RECTANGULAR END.



OPTIONS

SPECIAL NOTES

LLOYD INDUSTRIES MODEL CRD-50EA AND CRD 50-4X RECTANGULAR CEILING RADIATION DAMPERS
RATED PER UL 555C. UL CLASSIFIED 3 HOUR RATING.