



6390 Philips Highway
Jacksonville, FL 32216
Phone (904) 737-7144

SPECIFICATION DATA SHEET

MODEL No. 241-OSS

REGISTER BOOT with ONE SIDE STRAIGHT

Date: 07/11/18

Drawn by: M.D.C.

DIMENSIONAL DATA

STANDARD GRILLE SIZES WITH VARIOUS SIZE
COLLARS AVAILABLE.

FABRICATION DATA

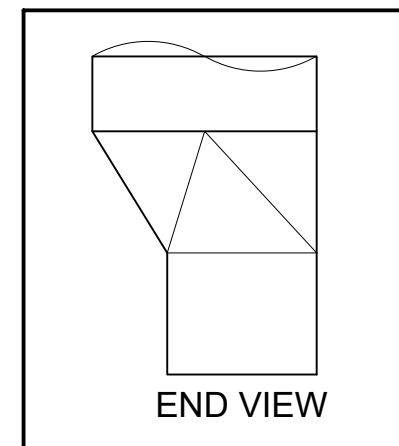
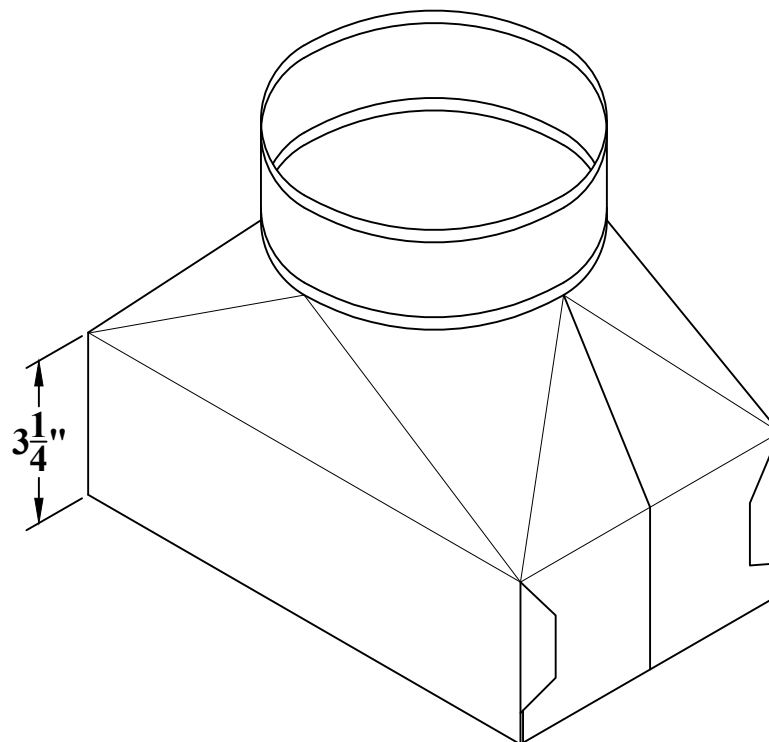
MATERIAL:
30 GAUGE GALVANIZED STEEL SHEET PER
ASTM A653 CS TYPE B.

FEATURES

3-1/4" STRAIGHT AWAY ON RECTANGULAR END.
ROUND COLLAR HAS HEMMED EDGE.

OPTIONS

HEAVIER GAUGES AVAILABLE.
No. 480 SQUARE TO ROUND TRANSITION.



SPECIAL NOTES