



6390 Philips Highway
Jacksonville, FL 32216
Phone (904) 737-7144

SPECIFICATION DATA SHEET

MODEL No. 1780

R-8 INSULATED REGISTER BOX

Date: 01/17/08

Drawn by: M.D.C.

DIMENSIONAL DATA

4-1/2" HIGH FRAMED BOX.

3" LONG COLLAR WITH CONVEX BEAD.

OUTER BOX DIMENSION IS 4" GREATER THAN REGISTER DIMENSION.

FABRICATION DATA

FABRICATED FROM 30 GAUGE GALVANIZED STEEL.

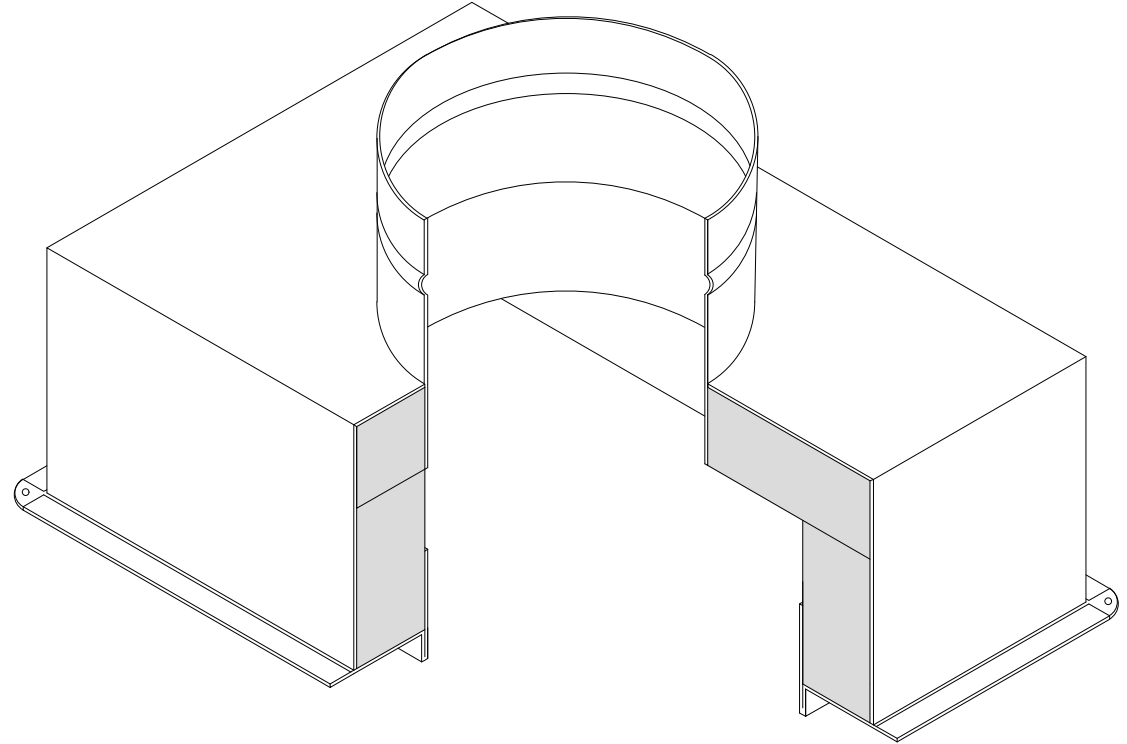
INTERNALLY INSULATED WITH R-8 INSULATION.

FEATURES

BLACK INTERIOR.

SOLID CORNERS.

1/2" DRYWALL FLANGE.



OPTIONS

SPECIAL NOTES

INTERNAL INSULATION USED MEETS THE REQUIREMENTS OF ASTM C 1338 (FORMERLY ASTM C 665) STANDARD TEST FOR FUNGI RESISTANCE.