



6390 Phillips Highway  
Jacksonville, FL 32216  
Phone (904) 737-7144

## SPECIFICATION DATA SHEET

# MODEL No. 1780 OS

R-8 INSULATED REGISTER BOX

Date: 12/23/14

Drawn by: M.D.C.

### DIMENSIONAL DATA

4-1/2" HIGH FRAMED BOX.

3" LONG COLLAR WITH CONVEX BEAD.

FOR GRILLE SIZE	OUTER BOX DIMENSION
-----------------	---------------------

8" x 4"	11" x 7"
---------	----------

10" x 6"	13" x 9"
----------	----------

12" x 6"	14" x 9"
----------	----------

### FABRICATION DATA

FABRICATED FROM 30 GAUGE GALVANIZED STEEL.

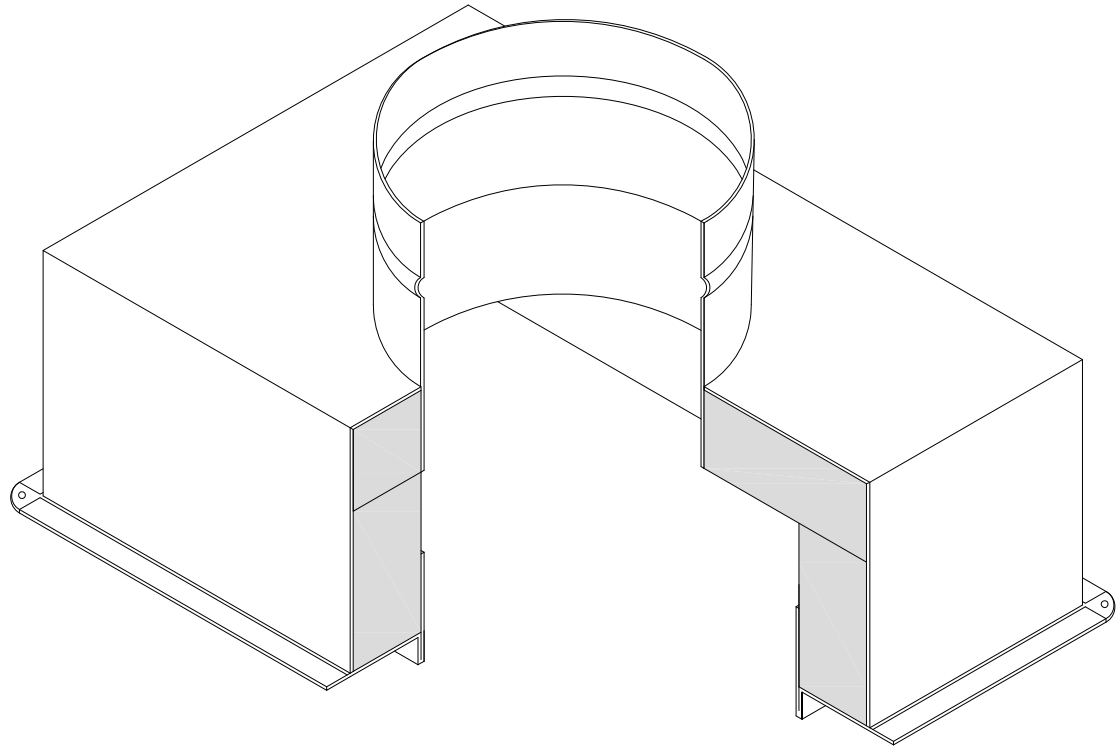
INTERNALLY INSULATED WITH R-8 INSULATION.

### FEATURES

BLACK INTERIOR.

SOLID CORNERS.

1/2" DRYWALL FLANGE.



### OPTIONS

### SPECIAL NOTES

INTERNAL INSULATION USED MEETS THE REQUIREMENTS OF ASTM C 1338 (FORMERLY ASTM C 665) STANDARD TEST FOR FUNGI RESISTANCE.