



6390 Philips Highway
Jacksonville, FL 32216
Phone (904) 737-7144

SPECIFICATION DATA SHEET

MODEL No. 175-X

ROUND DAMPER SLEEVE WITH
DAMPER HANDLE STANDOFF

Date: 05/07/20 rev.

Drawn by: DON.JR.

DIMENSIONAL DATA

SIZES AVAILABLE: 4" THROUGH 16"

LENGTH:

4" THROUGH 7" = 6" LONG

8" THROUGH 16" = 12" LONG

FABRICATION DATA

FABRICATED FROM HOT DIPPED GALVANIZED
STEEL SHEET OF LOCK FORMING QUALITY
PER ASTM-A653 CS TYPE B.

SLEEVE GAUGES:

4" THROUGH 7" = 30 GAUGE

8" THROUGH 16" = 28 GAUGE

FEATURES

CONTINUOUS WELD LONGITUDINAL SEAM FOR
NO AIR LEAKAGE @ 2" W.G. STATIC PRESSURE.

2" DAMPER HANDLE STANDOFF TO ALLOW
CLEARANCE FOR EXTERNAL INSULATION.

MANUAL VOLUME DAMPER INSTALLED.

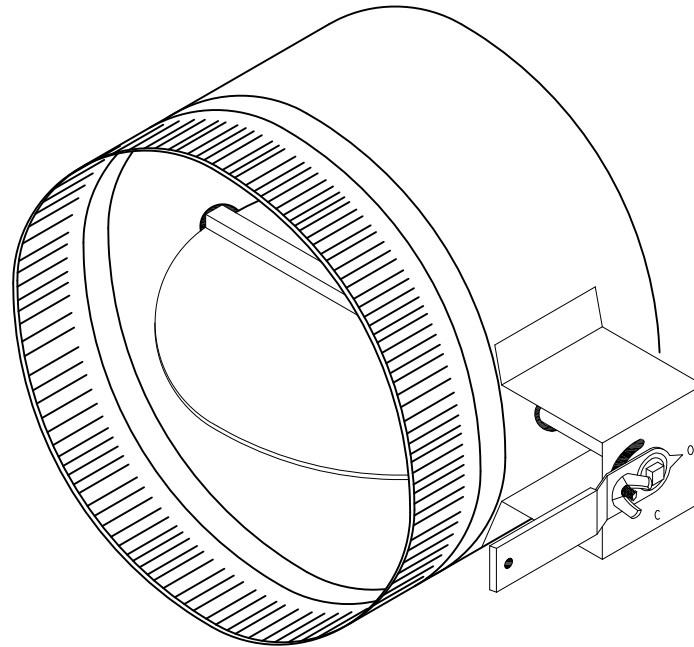
MANUAL VOLUME DAMPER WITH ¼" CONTINUOUS
ROD DAMPER AXIS WITH LOCKING REGULATOR,
GROMMETS INSTALLED AT THE COLLAR
PENETRATIONS.

OPTIONS

No. 175: ROUND DAMPER SLEEVE.

No. 175-XS1: ROUND DAMPER SLEEVE WITH 2"
DAMPER HANDLE STANDOFF, SIZES
4" - 12" S.M.A.C.N.A. GAUGE STANDARDS
MAXIMUM 2" W.G.

No. 175-XS2: ROUND DAMPER SLEEVE WITH 3/8"
CONTINUOUS ROD AND 2" DAMPER
HANDLE STANDOFF. (S.M.A.C.N.A.)



SPECIAL NOTES