



6390 Philips Highway
Jacksonville, FL 32216
Phone (904) 737-7144

SPECIFICATION DATA SHEET

MODEL No. 1565-CRD

**CEILING RADIATION DAMPER
PLENUM / REGISTER BOX ASSEMBLY**

Date: 12/01/20 rev. Drawn by: J.E.P.

DIMENSIONAL DATA

OUTSIDE DIMENSION OF BOX = REGISTER SIZE PLUS 3".
HEIGHT OF BOX = DIAMETER OF THE COLLAR PLUS 5-1/2", MAXIMUM HEIGHT 16"
COLLAR = 3" LONG.
RADIATION DAMPER RECESSED 2".
MINIMUM REGISTER SIZE = 4" X 4".
MAXIMUM REGISTER SIZE = 16" X 16" (MAXIMUM AREA 256 SQ. IN.)
MINIMUM COLLAR SIZE = 4" DIAMETER.
MAXIMUM COLLAR SIZE = 10" DIAMETER.

FABRICATION DATA

OUTER BOX: 28 GAUGE GALVANIZED STEEL.
COLLAR: ROLL FORMED 28 GAUGE GALVANIZED STEEL.
R-6 DUCT BOARD INSULATION, FSK FACING AIRSTREAM, FIBER GLASS NOT EXPOSED TO AIRSTREAM.

FEATURES

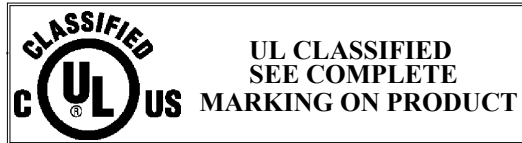
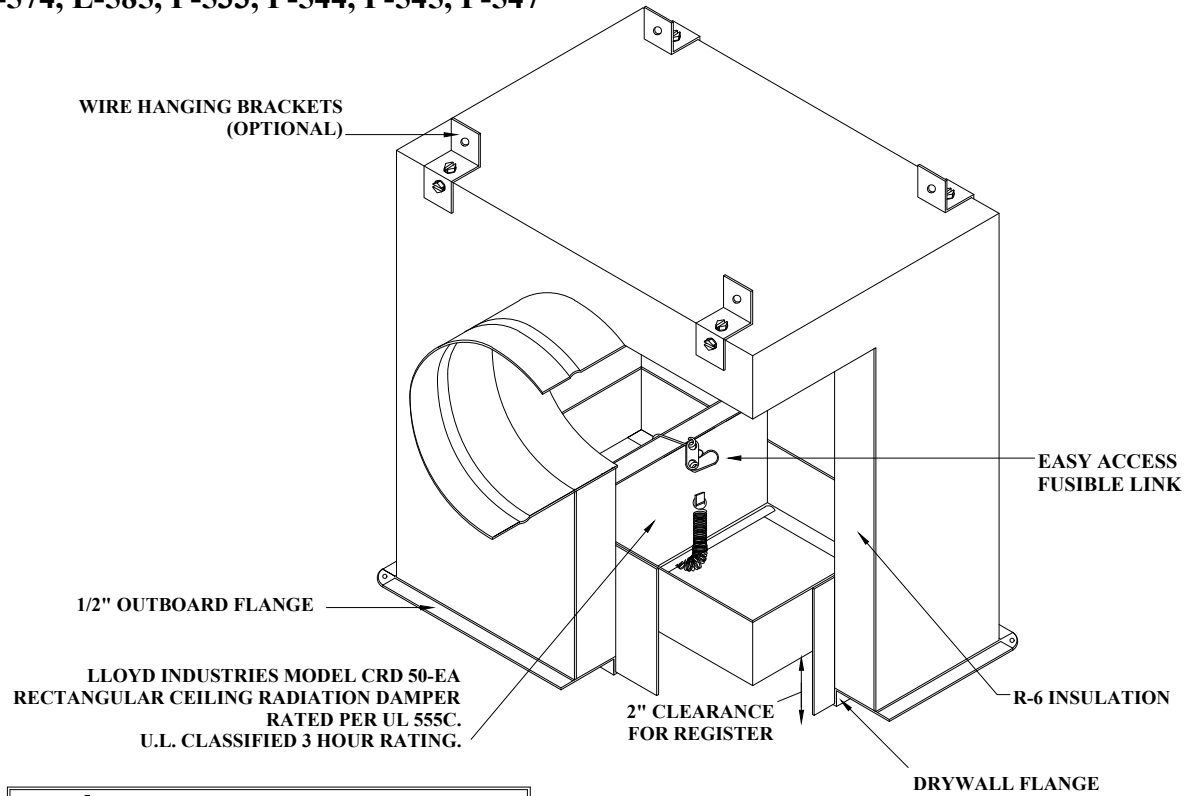
RADIATION DAMPER FEATURES:
U.L.CLASSIFIED 3 HOUR RATING.
U.L. LISTED LINK.
BLADES: 22 GAUGE GALVANIZED STEEL.
CERAMIC FIBER WITH FIBERGLASS COVER.

(CERAMIC INSULATION IS NOT REQUIRED ON DAMPERS WITH AREAS LESS THAN 80 SQUARE INCHES AND IS OPTIONAL. DAMPERS ABOVE 80 SQUARE INCHES WILL BE PROVIDED WITH BLADE INSULATION.)

OPTIONS

No. 1575-CRD CEILING RADIATION DAMPER BOX WITH TOP ENTRY.
AVAILABLE WITH EXTENDED DRYWALL FLANGE FOR DOUBLE LAYER GYPSUM CEILING MATERIALS INSTALLATION.

**1 HOUR RATED CRD/REGISTER/GRILLE ASSEMBLY
CRD/PLENUM BOX ASSEMBLY FOR FLOOR/CEILING
AND ROOF/CEILING WOOD TRUSS ASSEMBLIES
UL DESIGN L-528, L-558, L-562, L-563,
L-574, L-585, P-533, P-544, P-545, P-547**



SPECIAL NOTES

1 HOUR RATED CRD/REGISTER/GRILLE ASSEMBLY WITH CRD/PLENUM BOX ASSEMBLY FOR USE IN FLOOR-CEILING AND ROOF-CEILING WOOD TRUSS CONSTRUCTION OF TYPES L-528, L-558, L-562, L-563, L-574, L-585, P-533, P-544, P-545, P-547.
LLOYD INDUSTRIES CEILING RADIATION DAMPER U.L. CLASSIFIED 3 HOUR RATING USED IN ASSEMBLY.
CROWN MODEL No. 1565-CRD CORRESPONDS TO MODEL CRD 50-BT & CRD 50-EA-BT. UL FILE No. R15858