



6390 Philips Highway
Jacksonville, FL 32216
Phone (904) 737-7144

SPECIFICATION DATA SHEET

MODEL No. 1293

SLANTED TOP REGISTER BOX, R-4.2

Date: 01/20/12

Drawn by: M.D.C.

DIMENSIONAL DATA

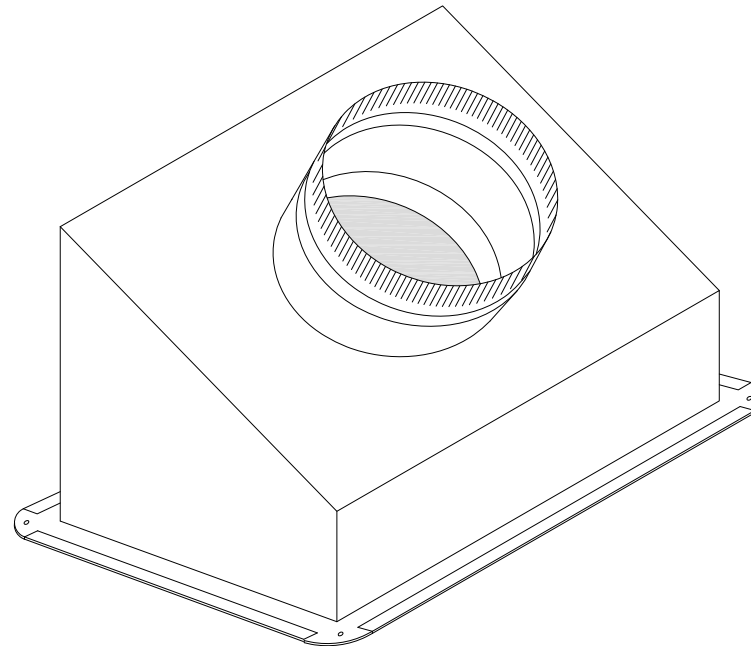
OUTER BOX DIMENSION IS 2" GREATER THAN REGISTER DIMENSION.

FABRICATION DATA

MATERIAL:
30 GAUGE HOT DIPPED GALVANIZED STEEL SHEET
PER ASTM-A653 CS TYPE B.

FEATURES

1" THICK R-4.2 INSULATION.
SOLID CORNERS WITH HANGER HOLES.
DRYWALL FLANGE.
HOLE CLUSTER FOR REGISTER ATTACHMENT.
BLACK INTERIOR.



OPTIONS

SPECIAL NOTES

INTERNAL INSULATION USED MEETS THE REQUIREMENTS OF ASTM C 1338 (FORMERLY ASTM C 665) STANDARD TEST METHOD FOR FUNGI RESISTANCE.