



6390 Philips Highway  
Jacksonville, FL 32216  
Phone (904) 737-7144

## SPECIFICATION DATA SHEET

# MODEL No. 1260

## MOUNTING ANGLE

Date: 07/19/18

Drawn by: M.D.C.

### DIMENSIONAL DATA

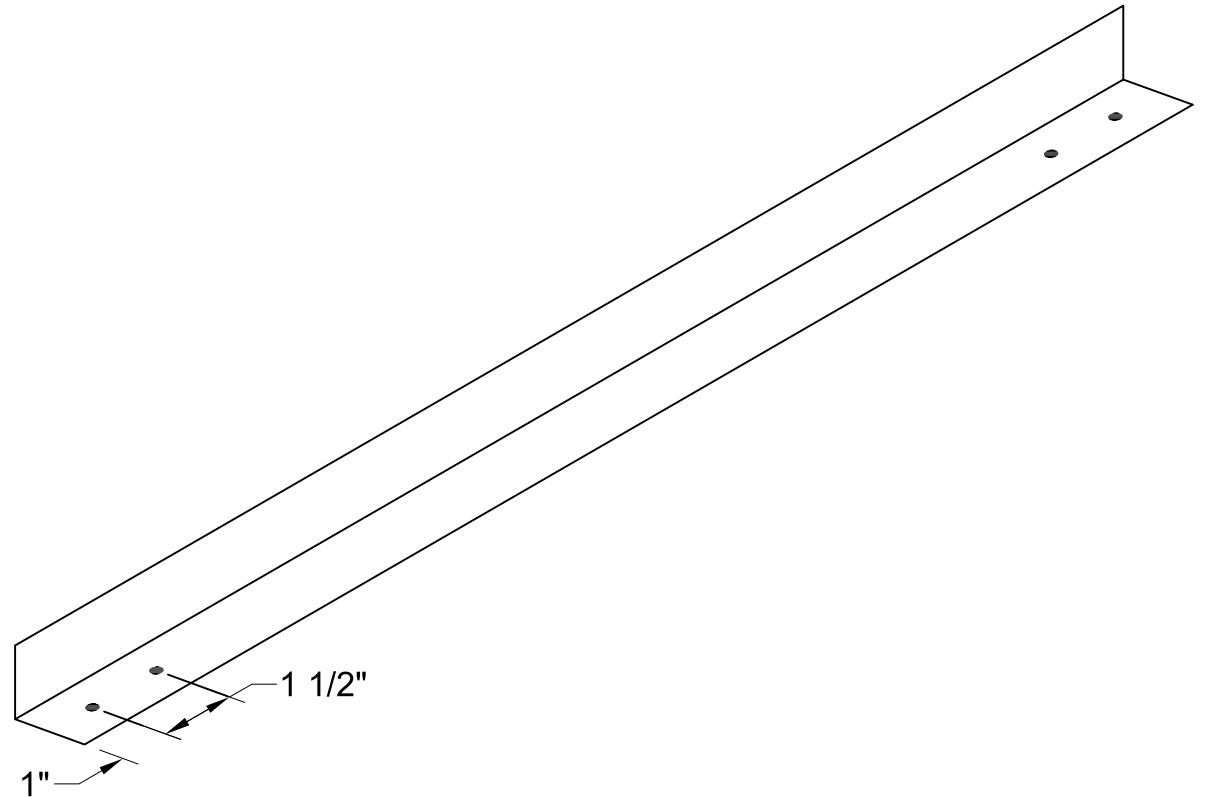
1 1/2" x 1 1/2" x 26" LONG

### FABRICATION DATA

FABRICATED FROM 18 GAUGE HOT DIPPED GALVANIZED STEEL OF LOCK FORMING QUALITY PER ASTM-A653 CS TYPE B.

### FEATURES

FOUR 1/4" DIAMETER HOLES TO HELP FACILITATE INSTALLATION.



### OPTIONS

### SPECIAL NOTES