



6390 Philips Highway  
Jacksonville, FL 32216  
Phone (904) 737-7144

## SPECIFICATION DATA SHEET

# MODEL No. 111-SS

STAINLESS STEEL  
ADJUSTABLE 90° ELBOW

Date: 6/24/21 rev.

Drawn by: J.E.P.

### DIMENSIONAL DATA

SIZES AVAILABLE: 5" THROUGH 18" DIAMETER

DIAMETER	THROAT DIMENSION
5"	3"
6"	3"
7"	3"
8"	4"
9"	3-1/2"
10"	3"
12"	4"
14"	3"
16"	3"
18"	4"

### FABRICATION DATA

MATERIAL: STAINLESS STEEL TYPE 304-2B

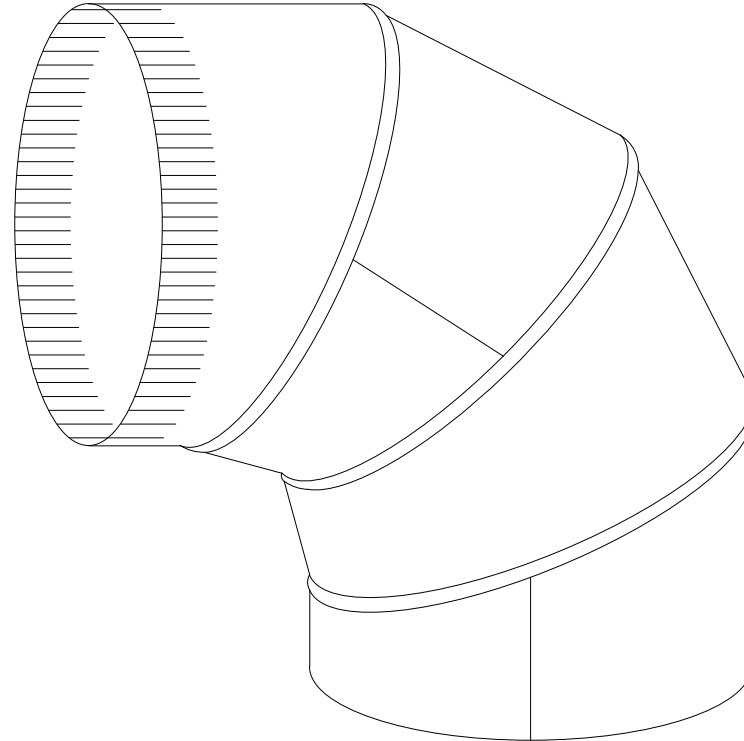
DIAMETER	GAUGE
5" - 18"	26 GA. (.018" THICK)

STEEL RIVETS MAY BE USED IN ASSEMBLY.

### FEATURES

TRANSVERSE CONNECTIONS:  
CRIMPED MALE CONNECTION  
STRAIGHT FEMALE CONNECTION

CONSTRUCTION:  
5" THROUGH 18" DIAMETER: 4 PIECE ASSEMBLY



### OPTIONS

### SPECIAL NOTES