



6390 Phillips Highway
Jacksonville, FL 32216
Phone (904) 737-7144

SPECIFICATION DATA SHEET

MODEL No. 111-AL

ALUMINUM
ADJUSTABLE 90° ELBOW

Date: 12/04/15

Drawn by: M.D.C.

DIMENSIONAL DATA

SIZES AVAILABLE: 4" THROUGH 18" DIAMETER

DIAMETER	THROAT DIMENSION
----------	---------------------

4"	3"
5"	3"
6"	3"
7"	3"
8"	4"
9"	3-1/2"
10"	3"
12"	4"
14"	3"
16"	3"
18"	4"

FABRICATION DATA

MATERIAL: ALUMINUM SHEET 3003 H-14 ALLOY

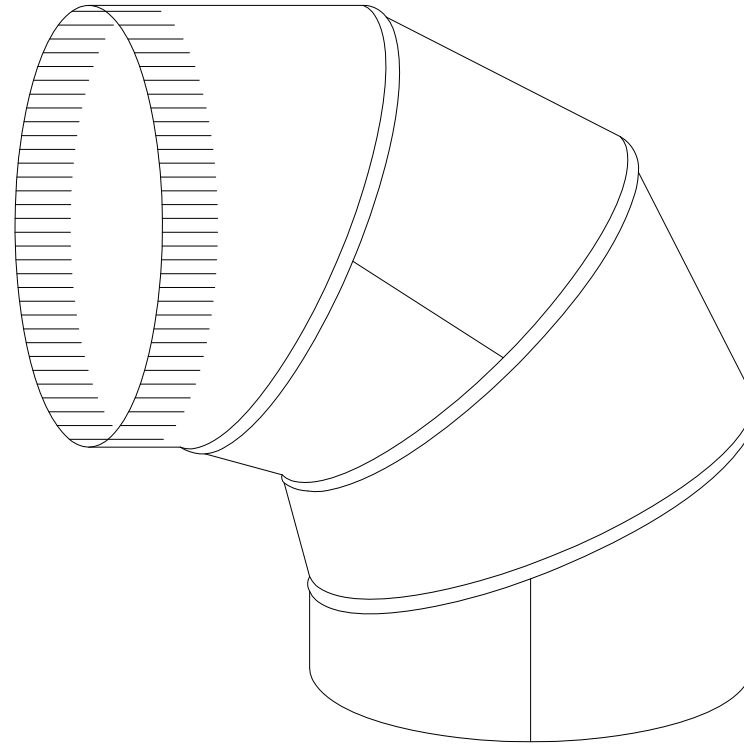
DIAMETER:	AVAILABLE IN:
4" - 14"	.025" THICK
6" - 18"	.032" THICK

STEEL RIVETS MAY BE USED IN ASSEMBLY.

FEATURES

TRANSVERSE CONNECTIONS:
CRIMPED MALE CONNECTION
STRAIGHT FEMALE CONNECTION

CONSTRUCTION:
5" THROUGH 18" DIAMETER: 4 PIECE ASSEMBLY



OPTIONS

SPECIAL NOTES