



6390 Philips Highway
 Jacksonville, FL 32216
 Phone (904) 737-7144

SPECIFICATION DATA SHEET

MODEL No. 111-AL

ALUMINUM
 ADJUSTABLE 90° ELBOW

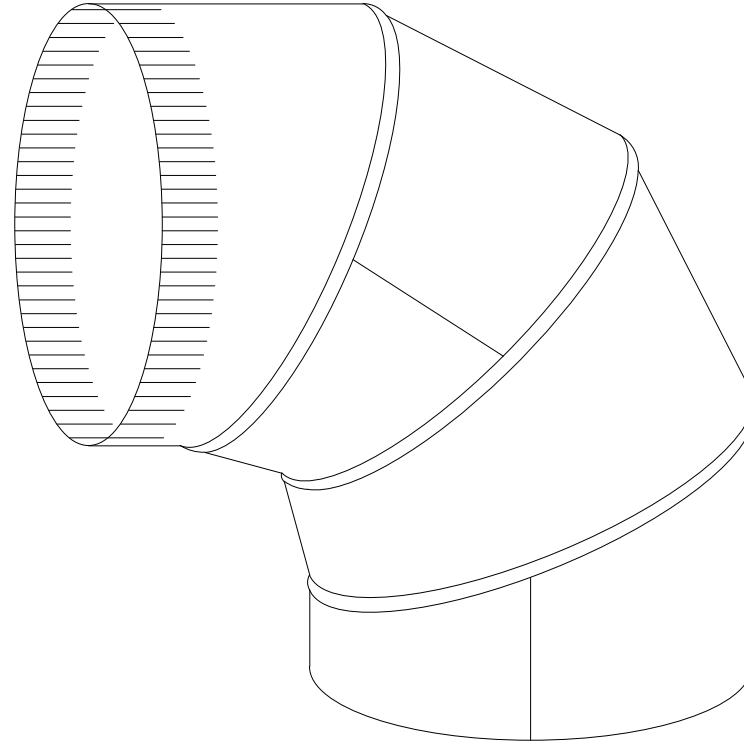
Date: 12/04/15

Drawn by: M.D.C.

DIMENSIONAL DATA

SIZES AVAILABLE: 4" THROUGH 18" DIAMETER

DIAMETER	THROAT DIMENSION
4"	3"
5"	3"
6"	3"
7"	3"
8"	4"
9"	3-1/2"
10"	3"
12"	4"
14"	3"
16"	3"
18"	4"



FABRICATION DATA

MATERIAL: ALUMINUM SHEET 3003 H-14 ALLOY

DIAMETER:	AVAILABLE IN:
4" - 14"	.025" THICK
6" - 18"	.032" THICK

STEEL RIVETS MAY BE USED IN ASSEMBLY.

FEATURES

TRANSVERSE CONNECTIONS:
 CRIMPED MALE CONNECTION
 STRAIGHT FEMALE CONNECTION

CONSTRUCTION:
 5" THROUGH 18" DIAMETER: 4 PIECE ASSEMBLY

OPTIONS

SPECIAL NOTES