



6390 Philips Highway  
Jacksonville, FL 32216  
Phone (904) 737-7144

## SPECIFICATION DATA SHEET

Date: 05/08/19 rev.

Drawn by: M.D.C.

# MODEL No. 616-GDSO

TAB COLLAR WITH THERMA SEAL GASKET,  
MANUAL VOLUME DAMPER AND  
DAMPER HANDLE STANDOFF

### DIMENSIONAL DATA

SIZES AVAILABLE: 4" THROUGH 18" DIAMETER

COLLARS ARE 3" LONG FROM FLANGE TO EDGE OF COLLAR.

### FABRICATION DATA

FABRICATED FROM HOT DIPPED GALVANIZED STEEL SHEET OF LOCK FORMING QUALITY PER ASTM-653 CS TYPE B.

SIZES 4" THROUGH 12" = 30 GAUGE  
SIZES 14" THROUGH 18" = 28 GAUGE

### FEATURES

EASY BEND TABS (1/3 LESS TABS TO BEND)

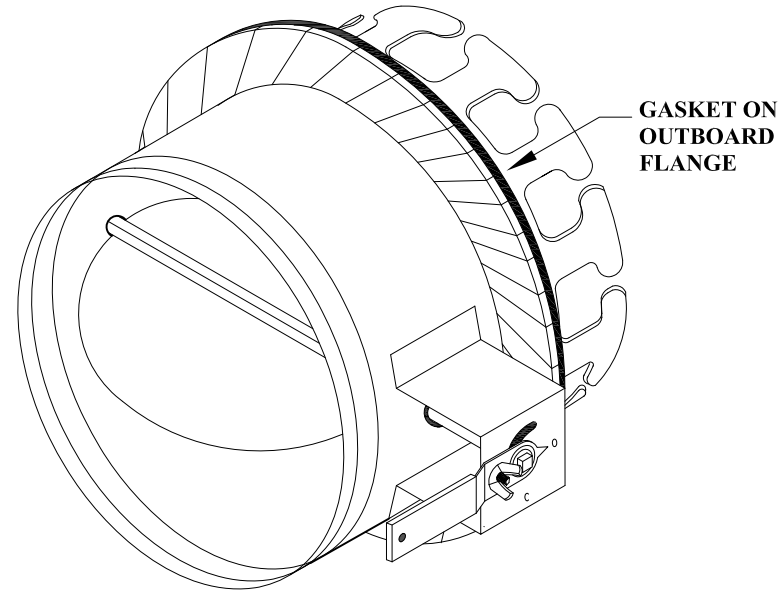
3/4" OUTBOARD FLANGE INTERNALLY SEALED WITH HOT MELT MASTIC.

THERMA SEAL GASKET APPLIED TO THE OUTBOARD FLANGE.

TABS ARE DESIGNED FOR 1" AND 1-1/2" THICK DUCT BOARD.

MANUAL VOLUME DAMPER WITH 1/4" CONTINUOUS ROD DAMPER AXIS WITH LOCKING REGULATOR, GROMMETS INSTALLED AT THE COLLAR PENETRATIONS.

2" DAMPER HANDLE STANDOFF.



### OPTIONS

### SPECIAL NOTES

RECOMMENDED INSTALLATION: DAMPER AXIS PARALLEL TO AIR FLOW.

HOT MELT MASTIC USED TO SEAL FLANGE BEARS FIRE HAZARD CLASS 1, FLAME SPREAD LESS THAN 25, SMOKE DENSITY LESS THAN 50.

THERMA SEAL GASKET ATTACHED TO OUTBOARD FLANGE BEARS FIRE HAZARD CLASS 1, FLAME SPREAD LESS THAN 25, SMOKE DENSITY LESS THAN 50.