



6390 Philips Highway
Jacksonville, FL 32216
Phone (904) 737-7144

SPECIFICATION DATA SHEET

MODEL No. 265

REDUCER / INCREASER

Date: 03/03/20 rev.

Drawn by: Don. JR.

DIMENSIONAL DATA

SIZES: 3" THROUGH 30" DIAMETER

SIZE	LENGTH	SIZE	LENGTH
4" - 3"	8-1/8"	12" - 10"	6-3/4"
5" - 4"	7-1/2"	14" - 8"	9-3/4"
6" - 4", 5"	8-5/8"	14" - 10"	7-3/4"
7" - 4"	10-3/4"	14" - 12"	6-3/4"
7" - 5", 6"	8-1/2"	16" - 12"	8-1/2"
8" - 5"	7-1/4"	16" - 14"	8-1/4"
8" - 6"	7-1/4"	18" - 14"	8-3/4"
8" - 7"	6-1/2"	18" - 16"	8-1/4"
9" - 6"	7"	20" - 16"	8-1/2"
9" - 7"	8-1/4"	20" - 18"	8-5/8"
9" - 8"	6-1/2"	22" - 18"	8-1/2"
10" - 6"	7-3/4"	22" - 20"	8-3/8"
10" - 7"	7"	24" - 20"	8-1/2"
10" - 8"	7"	24" - 22"	8-1/8"
10" - 9"	7-1/4"	26" - 24"	8-1/4"
12" - 8"	9-1/2"	28" - 26"	9"
12" - 9"	10"	30" - 28"	14-1/4"

FABRICATION DATA

MATERIAL: FABRICATED FROM GALVANIZED
STEEL SHEET, ASTM-A653 CS TYPE B.

GAUGES:

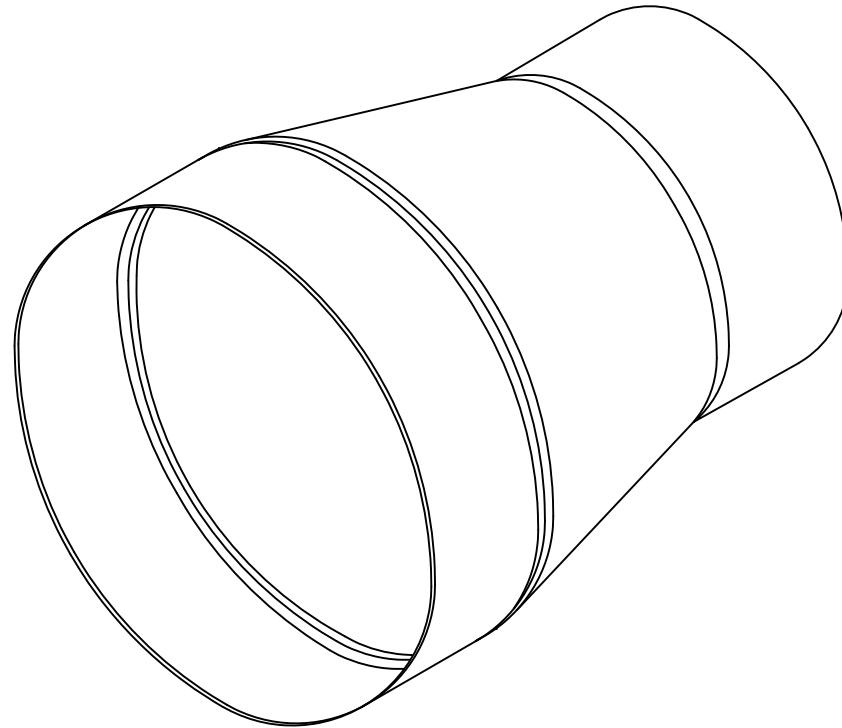
4" THROUGH 12" = 30 GAUGE

14" THROUGH 18" = 28 GAUGE

20" THROUGH 30" = 26 GAUGE

FEATURES

TRANSVERSE CONNECTIONS:
STRAIGHT FEMALE CONNECTION BOTH ENDS



OPTIONS

ALUMINUM AND STAINLESS REDUCERS
ARE AVAILABLE IN LIMITED GAUGES AND
DIAMETERS.

SPECIAL NOTES

4" x 3" REDUCER AVAILABLE IN MAXIMUM 26 GAUGE.

5" THROUGH 9" REDUCERS AVAILBLE IN MAXIMUM 24 GAUGE.

10" THROUGH 30" REDUCERS AVAILABLE IN MAXIMUM 22 GAUGE.