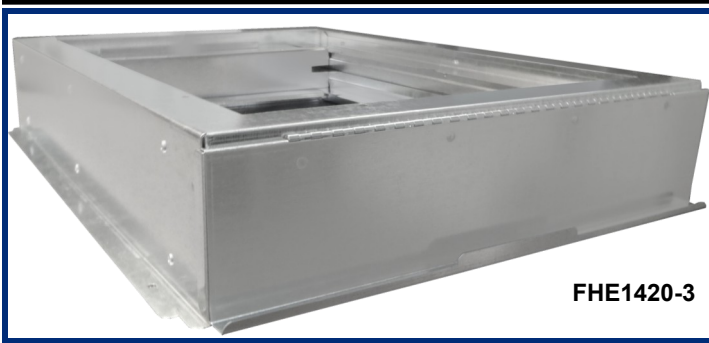
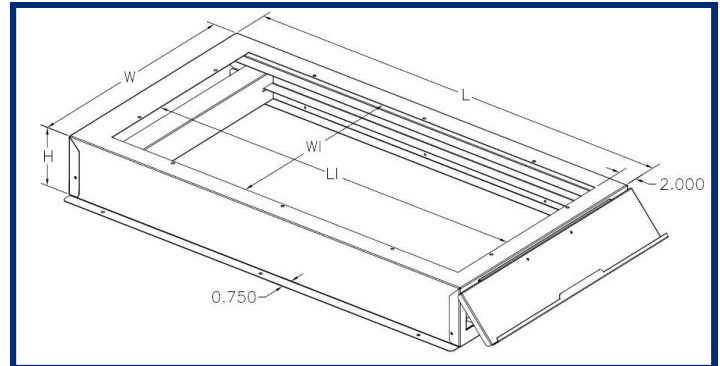


Air-Tite Series

FILTER HOUSINGS FOR ELECTRIC AIR HANDLERS



FHE1420-3



Description

- The new **Air-Tite Series** Filter Housings by Crown Products offer the most well-built, sleek designed and easiest to use galvanized sheet metal filter housings on the market, for residential and light commercial use.
- Allows for easy access to furnace filters—no panels or door to remove.
- Made to fit all electric air handlers through 5 tons.
- Makes a clean and professional installation.
- Uses standard size pleated or panel filters.

Standard Features

- Fully hinged door with magnetic latch and integrated handle provides a tight seal, eliminating air and debris from entering the filter box from surrounding area.
- Removable rails are easy to change to accommodate different filter sizes.
- Heavy 22 gauge galvanized sheet metal has been die cut for smooth edges, allowing for a smooth installation.

- Solid cabinet design is spot welded and riveted for sturdiness and long life.
- Tabs have rounded corners.
- Mounting holes are provided for faster installation.
- Individually boxed for convenient shipping and warehousing.

AIR-TITE HOUSING - FOR 1" or 2" FILTERS

MODEL NO.	OUTSIDE DIMENSIONS			OPENING		FILTER SIZE
	W	H	L	W1	L1	
FHE1420-3	15 ³ / ₈	4	22	12 ⁵ / ₈	18 ³ / ₄	14 x 20
FHE1620-3	17 ³ / ₈	4	22	14 ⁵ / ₈	18 ³ / ₄	16 x 20
FHE2020-3	21 ³ / ₈	4	22	18 ⁵ / ₈	18 ³ / ₄	20 x 20
FHE2020-3T	23 ¹ / ₂	4	22	19 ³ / ₄	18 ³ / ₄	20 x 20
FHE2025-3	26 ³ / ₈	4	22	23 ⁵ / ₈	18 ³ / ₄	20 x 25
FHE2025-3N	21 ³ / ₈	4	25	18 ⁵ / ₈	21 ³ / ₄	20 x 25

AIR-TITE HOUSING - FOR 1" FILTERS

MODEL NO.	OUTSIDE DIMENSIONS			OPENING		FILTER SIZE
	W	H	L	W1	L1	
FHE1420-2	15 ³ / ₈	3	22	12 ⁵ / ₈	18 ³ / ₄	14 x 20
FHE1620-2	17 ³ / ₈	3	22	14 ⁵ / ₈	18 ³ / ₄	16 x 20
FHE2020-2	21 ³ / ₈	3	22	18 ⁵ / ₈	18 ³ / ₄	20 x 20
FHE-2025-2	26 ³ / ₈	3	22	23 ⁵ / ₈	18 ³ / ₄	20 x 25
FHE2025-2N	21 ³ / ₈	3	25	18 ⁵ / ₈	21 ³ / ₄	20 x 25

AIR-TITE HOUSING - FOR 1", 2" or 4" FILTERS

MODEL NO.	OUTSIDE DIMENSIONS			OPENING		FILTER SIZE
	W	H	L	W1	L1	
FHE1420-6	15 ³ / ₈	6	22	12 ⁵ / ₈	18 ³ / ₄	14 x 20
FHE1620-6	17 ³ / ₈	6	22	14 ⁵ / ₈	18 ³ / ₄	16 x 20
FHE2020-6	21 ³ / ₈	6	22	18 ⁵ / ₈	18 ³ / ₄	20 x 20
FHE2020-6T	23 ¹ / ₂	6	22	19 ³ / ₄	18 ³ / ₄	20 x 20
FHE2025-6	26 ³ / ₈	6	22	23 ⁵ / ₈	18 ³ / ₄	20 x 25
FHE2025-6N	21 ³ / ₈	6	25	18 ⁵ / ₈	21 ³ / ₄	20 x 25



CROWN PRODUCTS COMPANY, INC.
 6390 Philips Highway, Jacksonville, Florida 32216
 Tel: (904) 737-7144 Fax: (904) 737-3533
Toll Free: 1-800-683-7144
 Email: info@crowproductsco.com