



6390 Philips Highway
Jacksonville, FL 32216
Phone (904) 737-7144

SPECIFICATION DATA SHEET

MODEL No. 905

RETURN AIR BOX

Date: 8/25/11 Rev.

Drawn by: Don.Jr.

DIMENSIONAL DATA

BOX SIZES:	"A" RACK FOR 2 ea. FILTER SIZES:
12" x 20" - 12"	10" x 20" x 1"
12" x 20" - 14"	10" x 20" x 1"
14" x 20" - 12"	10" x 20" x 1"
14" x 20" - 14"	10" x 20" x 1"
16" x 20" - 12"	12" x 20" x 1"
16" x 20" - 14"	12" x 20" x 1"

STANDARD DEPTH 10"

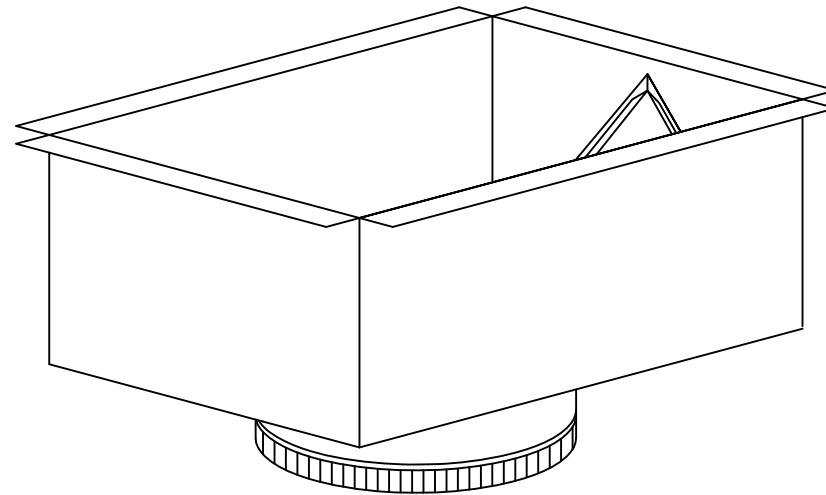
FABRICATION DATA

MATERIAL:
FABRICATED FROM HOT DIPPED GALVANIZED
STEEL SHEETS OF LOCK FORMING QUALITY
PER ASTM-A653 CS TYPE B.

GAUGES:
ALL SIZES = 28 GAUGE

FEATURES

1/2" FLANGE.
3" LONG COLLAR WITH CRIMP AND BEAD.



SPECIAL NOTES