



6390 Philips Highway  
Jacksonville, FL 32216  
Phone (904) 737-7144

## SPECIFICATION DATA SHEET

Date: 01/16/06

Drawn by: Don. JR.

# MODEL No. 799

## 2" HANGER STRAP

### DIMENSIONAL DATA

2" X 100' ROLLS

### FABRICATION DATA

MATERIAL: FABRICATED FROM GALVANIZED  
STEEL SHEET, ASTM-A653 CS TYPE B.

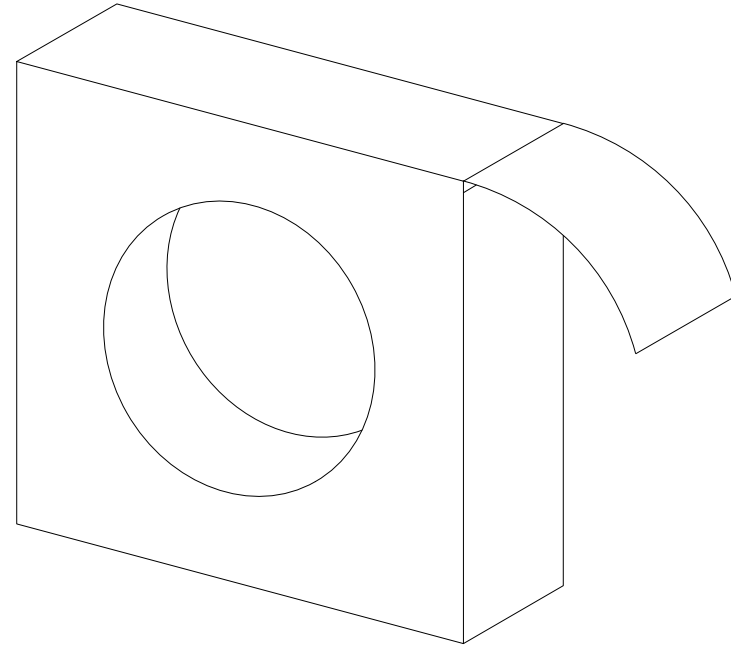
#### AVAILABLE GAUGES:

28 GAUGE - .016" MINIMUM STEEL THICKNESS

26 GAUGE - .019" MINIMUM STEEL THICKNESS

24 GAUGE - .024" MINIMUM STEEL THICKNESS

### FEATURES



### OPTIONS

### SPECIAL NOTES