



6390 Philips Highway
Jacksonville, FL 32216
Phone (904) 737-7144

SPECIFICATION DATA SHEET

MODEL No. 797

1" WIDE HANGER STRAP

Date: 09/14/10 rev.

Drawn by: Don. JR.

DIMENSIONAL DATA

1" x 100' ROLLS

FABRICATION DATA

MATERIAL: FABRICATED FROM GALVANIZED
STEEL SHEET, ASTM-A653 CS TYPE B.

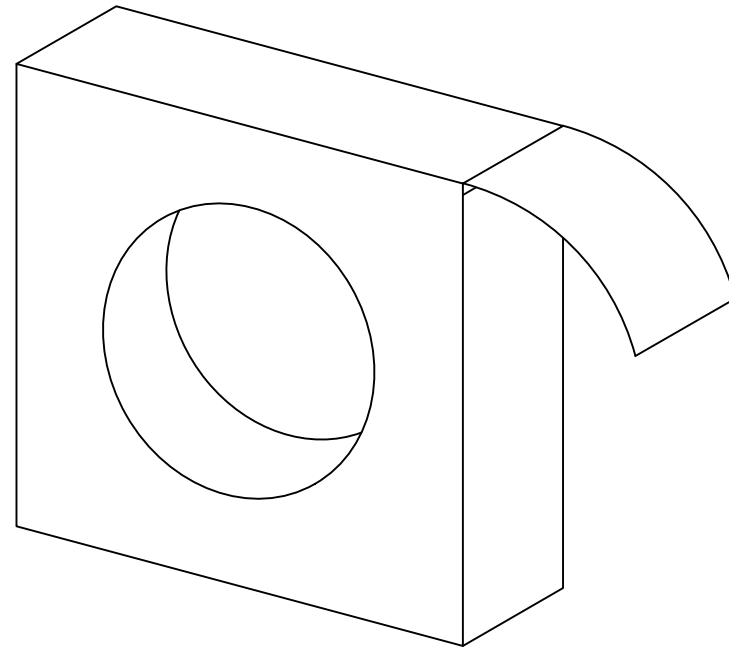
AVAILABLE GAUGES:

26 GAUGE - .019" MINIMUM STEEL THICKNESS

22 GAUGE - .030" MINIMUM STEEL THICKNESS

FEATURES

100 FEET 1" WIDE STRAP IN CARTON.



OPTIONS

SPECIAL NOTES

MANUFACTURED IN THE U.S.A.