



6390 Phillips Highway
Jacksonville, FL 32216
Phone (904) 737-7144

SPECIFICATION DATA SHEET

MODEL No. 778
1" WIDE ALUMINUM HANGER STRAP

Date: 01/07/19

Drawn by: M.D.C.

DIMENSIONAL DATA

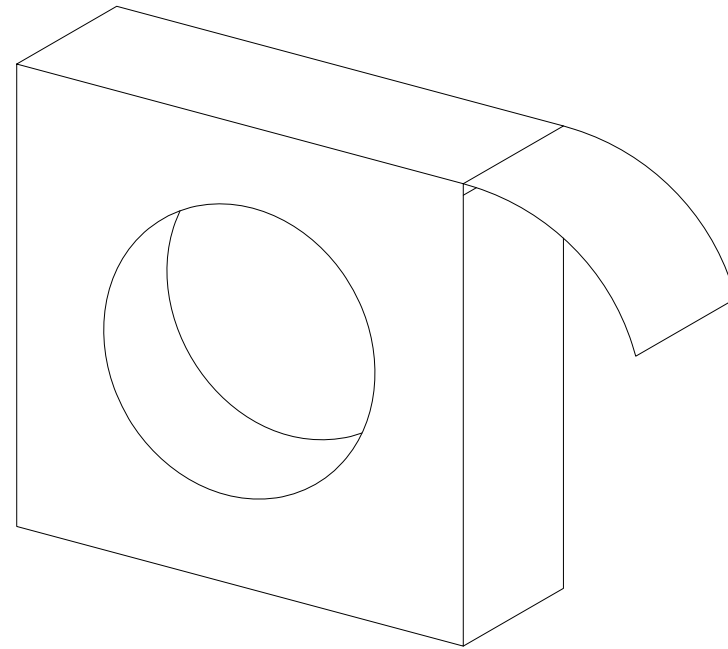
1" WIDE x 100' ROLLS

FABRICATION DATA

MATERIAL: .019" THICK
ALUMINUM 3003-H14 ALLOY

FEATURES

100 FEET 1" WIDE STRAP IN CARTON.



OPTIONS

SPECIAL NOTES