



6390 Phillips Highway  
Jacksonville, FL 32216  
Phone (904) 737-7144

## SPECIFICATION DATA SHEET

**MODEL No. 777**  
**1" WIDE ALUMINUM HANGER STRAP**

Date: 01/07/19

Drawn by: M.D.C.

### DIMENSIONAL DATA

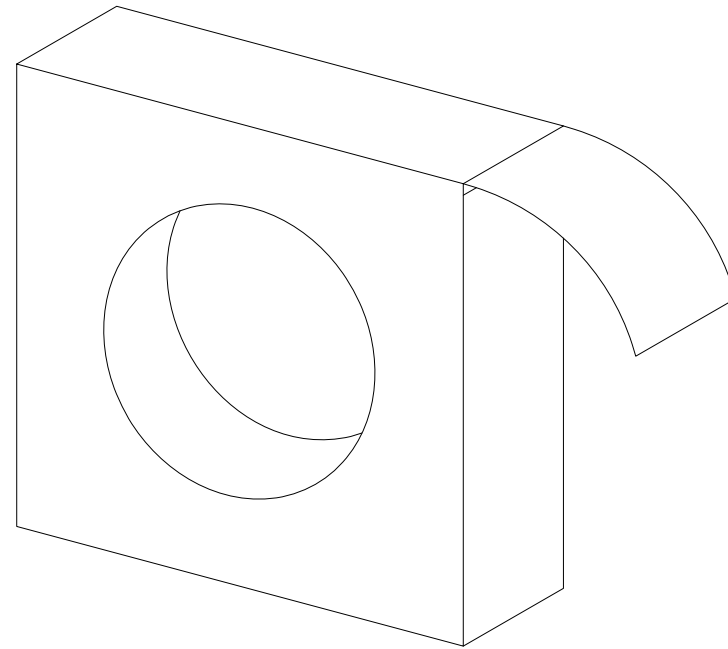
1" WIDE x 200' ROLLS

### FABRICATION DATA

MATERIAL: .019" THICK  
ALUMINUM 3003-H14 ALLOY

### FEATURES

200 FEET 1" WIDE STRAP IN CARTON.



### OPTIONS

### SPECIAL NOTES