



6390 Philips Highway  
Jacksonville, FL 32216  
Phone (904) 737-7144

## SPECIFICATION DATA SHEET

Date: 5/15/24

Drawn by: J.EP.

## MODEL No. 750

AUXILIARY DRAIN PAN

### DIMENSIONAL DATA

CUSTOM BUILT TO MEET SPECIFIC UNIT DIMENSIONS.

STANDARD DEPTH: 1-7/8"

### FABRICATION DATA

FABRICATED FROM HOT DIPPED GALVANIZED STEEL SHEET OF LOCK FORMING QUALITY PER ASTM-A653 CS TYPE B.

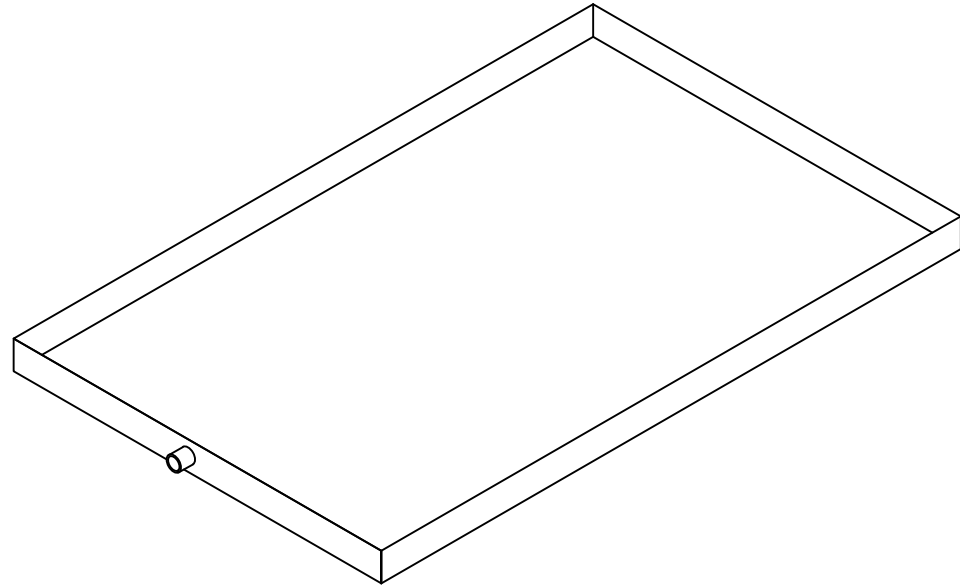
1/2" HEM ON ALL EDGES.

CORNERS MECHANICALLY SEALED.

STANDARD GAUGE: 26

### FEATURES

3/4" FEMALE DRAIN ADAPTER IN CENTER OF SHORT SIDE UNLESS POSITION REQUESTED OTHERWISE.



### OPTIONS

### SPECIAL NOTES