



6390 Philips Highway  
Jacksonville, FL 32216  
Phone (904) 737-7144

## SPECIFICATION DATA SHEET

# MODEL No. 726-DSO

SPIN-IN for SHEET METAL DUCT  
with SCOOP and MANUAL VOLUME DAMPER  
with DAMPER HANDLE STANDOFF

Date: 05/26/20 rev.

Drawn by: MDC

### DIMENSIONAL DATA

SIZES AVAILABLE: 4" THROUGH 16"

COLLAR LENGTH: 5-1/2"

### FABRICATION DATA

MATERIAL:  
HOT DIPPED GALVANIZED STEEL SHEET  
PER ASTM-A653 CS TYPE B.

GAUGES:  
4" THROUGH 10" = 30 GAUGE  
12" THROUGH 16" = 28 GAUGE

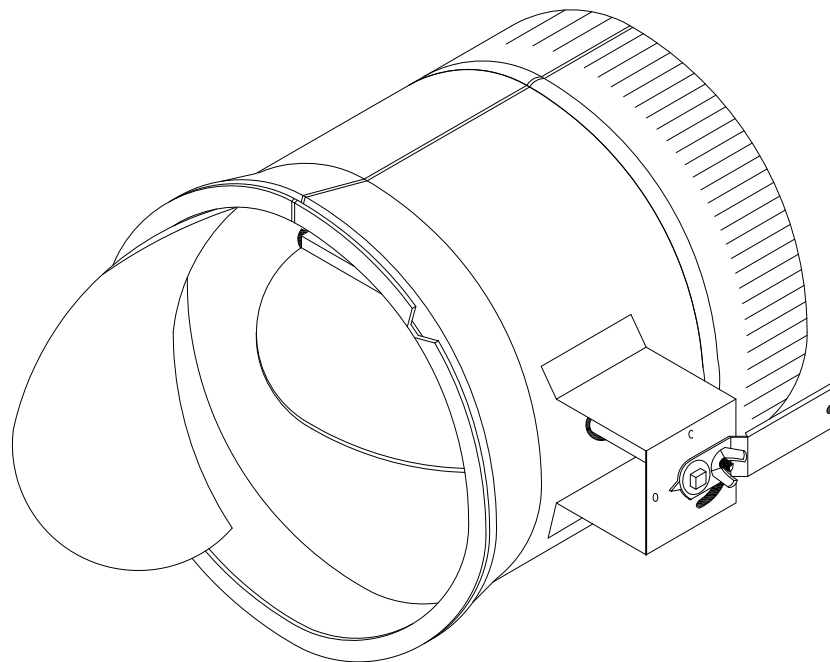
### FEATURES

MANUAL VOLUME DAMPER INSTALLED.

MANUAL VOLUME DAMPER WITH 1/4" CONTINUOUS  
ROD DAMPER AXIS WITH LOCKING REGULATOR,  
GROMMETS INSTALLED AT THE COLLAR  
PENETRATIONS.

SCOOP PENETRATES INTO TRUNK DUCT AIR  
STREAM.

2" DAMPER HANDLE STANDOFF.



### OPTIONS

No. 720: SPIN COLLAR FOR SHEET METAL DUCT  
No. 722: COLLAR WITH SCOOP  
No. 724: COLLAR WITH MANUAL VOLUME  
DAMPER

### SPECIAL NOTES

RECOMMENDED INSTALLATION: DAMPER AXIS PARALLEL TO AIR FLOW.