



6390 Philips Highway
Jacksonville, FL 32216
Phone (904) 737-7144

SPECIFICATION DATA SHEET

MODEL No. 720

SPIN-IN COLLAR

Date: 5/23/02 rev.

Drawn by: Don. JR.

DIMENSIONAL DATA

SIZES AVAILABLE: 4" THROUGH 16"

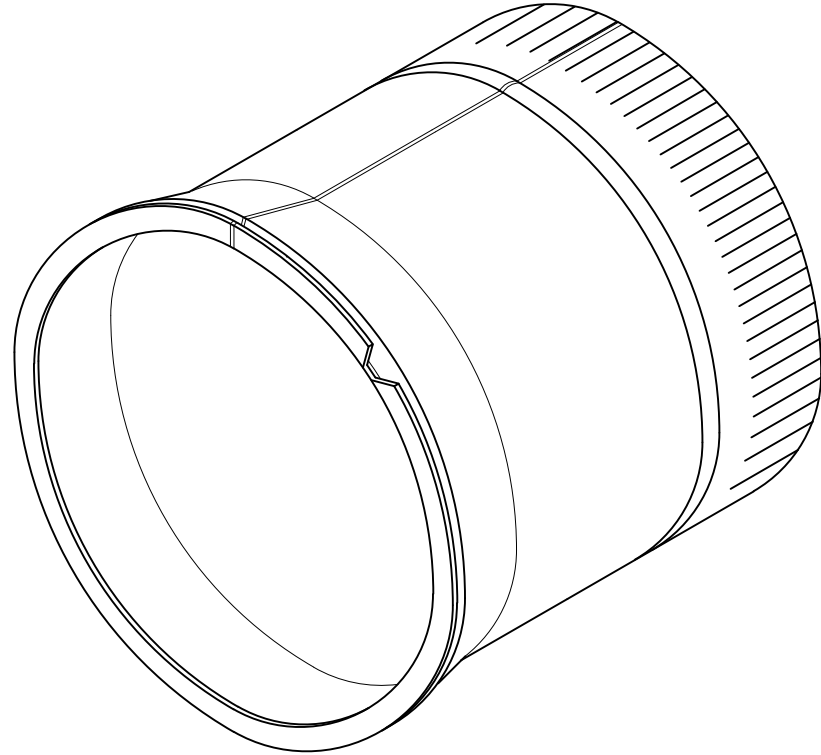
COLLAR LENGTH: 5-1/2"

FABRICATION DATA

MATERIAL:
HOT DIPPED GALVANIZED STEEL SHEET
PER ASTM-A653 CS TYPE B.

GAUGES:
4" THROUGH 10": 30 GAUGE
12" THROUGH 16": 28 GAUGE

FEATURES



OPTIONS

No. 722: COLLAR WITH SCOOP

No. 724: COLLAR WITH MANUAL VOLUME
DAMPER

No. 726: COLLAR WITH DAMPER AND SCOOP

SPECIAL NOTES