



6390 Philips Highway  
Jacksonville, FL 32216  
Phone (904) 737-7144

## SPECIFICATION DATA SHEET

# MODEL No. 666

### RECTANGULAR TO ROUND ADAPTER

Date: 11/02/09 rev.

Drawn by: M.D.C.

#### DIMENSIONAL DATA

SIZES AVAILABLE: 4" x 4" THRU 30" x 30"

RECTANGULAR END: 3/16" OVERSIZED

ROUND COLLAR: 1/8" UNDERSIZED

3" DEEP RECTANGULAR END

3" LONG ROUND COLLAR

#### FABRICATION DATA

FABRICATED FROM HOT DIPPED GALVANIZED  
STEEL OF LOCK FORMING QUALITY PER  
ASTM-A653 CS TYPE B.

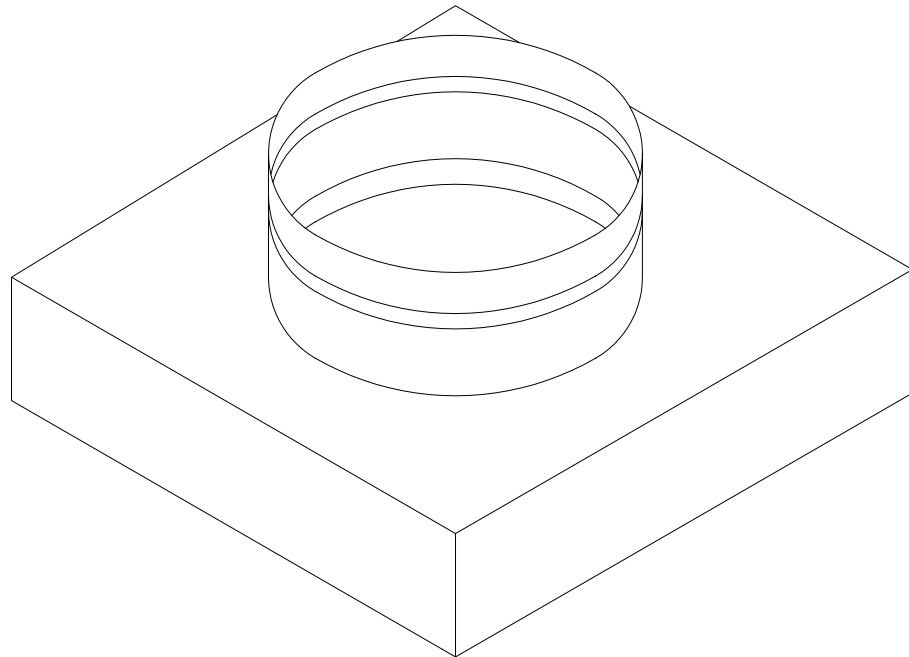
SIZES 4" x 4" THRU 24" x 24" = 28 GAUGE

SIZES 26" x 26" THRU 30" x 30" = 26 GAUGE

#### FEATURES

RECTANGULAR END IS STRAIGHT TO FIT  
OVER GRILLE NECK.

ROUND COLLAR IS UNDERSIZED WITH BEAD  
TO ACCEPT PIPE OR FLEX DUCT.



#### OPTIONS

OVAL COLLARS, CUSTOM SIZES AND EXTENDED  
BODY LENGTHS ARE AVAILABLE.

#### SPECIAL NOTES

**ROUND COLLAR EXTENDS 5/8" INTO RECTANGULAR END. STANDARD 3" DEEP RECTANGULAR  
END YIELDS ONLY 2-3/8" CLEARANCE.**