



6390 Philips Highway
Jacksonville, FL 32216
Phone (904) 737-7144

SPECIFICATION DATA SHEET

MODEL No. 654

RING SEAL COLLAR with MANUAL VOLUME DAMPER

Date: 10/20/09 rev.

Drawn by: Don. JR.

DIMENSIONAL DATA

SIZES AVAILABLE: 4" THROUGH 16" DIAMETER

COLLAR LENGTH: 4-1/2"

FABRICATION DATA

MATERIAL:
FABRICATED FROM HOT DIPPED GALVANIZED
STEEL SHEETS PER ASTM-A653 CS TYPE B.

COLLAR: 30 GAUGE GALVANIZED STEEL

DAMPER: 4" THROUGH 10" = 28GA.
12" THROUGH 16" = 26GA.

"CAP": 26 GAUGE GALVANIZED STEEL

RIVETED LONGITUDINAL SEAM

FEATURES

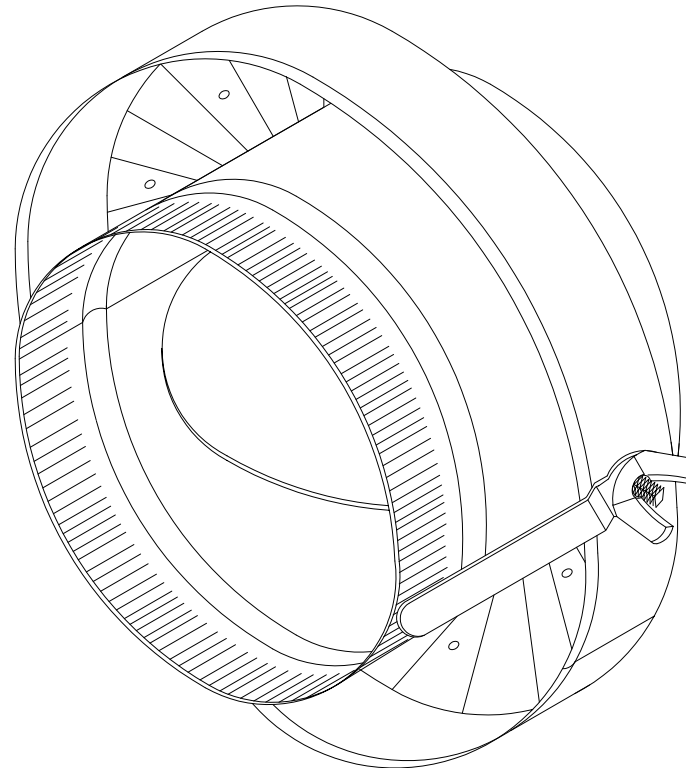
CRIMP AND BEAD MALE TRANSVERSE
CONNECTION.

POCKET OF RING SEAL COLLAR MAINTAINS
FULL 1-1/2" INSULATION THICKNESS.

MANUAL VOLUME DAMPER INSTALLED.
SIZES 4" THROUGH 10" HAVE DAMPER WITH 1/4"
REGULATOR.

SIZES 12" THROUGH 16" HAVE REINFORCED
DAMPER AXIS WITH 1/4" REGULATOR, END
BEARING WITH WASHER AND WING NUT.

SCREW HOLES.



OPTIONS

No. 650 RING SEAL COLLAR
No. 652 RING SEAL COLLAR WITH SCOOP
No. 656 RING SEAL COLLAR WITH SCOOP
AND MANUAL VOLUME DAMPER

SPECIAL NOTES

RECOMMENDED INSTALLATION: DAMPER AXIS PARALLEL TO AIR FLOW.