



6390 Phillips Highway  
Jacksonville, FL 32216  
Phone (904) 737-7144

## SPECIFICATION DATA SHEET

# MODEL No. 440

SHORT WAY 90 ° ELBOW

Date: 11/26/02

Drawn by: M.D.C.

### DIMENSIONAL DATA

BUILT TO DESIGN SPECIFICATIONS.

SQUARE THROATS ARE 6" x 6", STANDARD.

RADIUS THROATS ARE 8" RADIUS, STANDARD.

### FABRICATION DATA

MATERIAL:  
GALVANIZED STEEL SHEET OF LOCK FORMING  
QUALITY PER ASTM A653 CS TYPE B.

GAUGES AVAILABLE:  
28, 26, 24, 22, 20 AND 18 GAUGE.

PITTSBURGH LOCK LONGITUDINAL SEAM IS  
STANDARD.

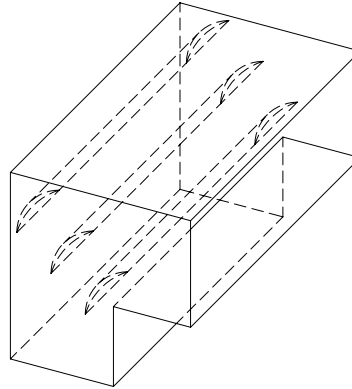
### FEATURES

INTERNAL INSULATION AVAILABLE:  
1/2", 1" OR 1-1/2" THICK.

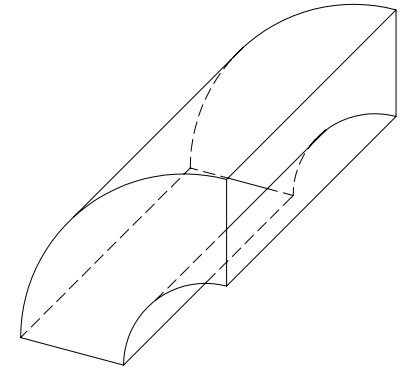
ASSEMBLED, READY FOR INSTALLATION.

### TRANSVERSE CONNECTIONS

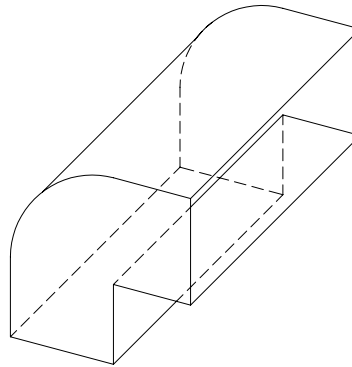
ENDS STRAIGHT  
FLANGES TURNED IN OR OUT  
S-LOCK AND DRIVE  
FLANGED BOLT TOGETHER



**SQUARE THROAT & SQUARE BACK  
with TURNING VANES**



**RADIUS THROAT & RADIUS BACK**



**SQUARE THROAT & RADIUS BACK**

### SPECIAL NOTES