



6390 Philips Highway  
Jacksonville, FL 32216  
Phone (904) 737-7144

## SPECIFICATION DATA SHEET

# MODEL No. 440

### SHORT WAY 90° ELBOW

Date: 11/26/02

Drawn by: M.D.C.

#### DIMENSIONAL DATA

BUILT TO DESIGN SPECIFICATIONS.

SQUARE THROATS ARE 6" x 6", STANDARD.

RADIUS THROATS ARE 8" RADIUS, STANDARD.

#### FABRICATION DATA

##### MATERIAL:

GALVANIZED STEEL SHEET OF LOCK FORMING QUALITY PER ASTM A653 CS TYPE B.

##### GAUGES AVAILABLE:

28, 26, 24, 22, 20 AND 18 GAUGE.

PITTSBURGH LOCK LONGITUDINAL SEAM IS STANDARD.

#### FEATURES

INTERNAL INSULATION AVAILABLE:

1/2", 1" OR 1-1/2" THICK.

ASSEMBLED, READY FOR INSTALLATION.

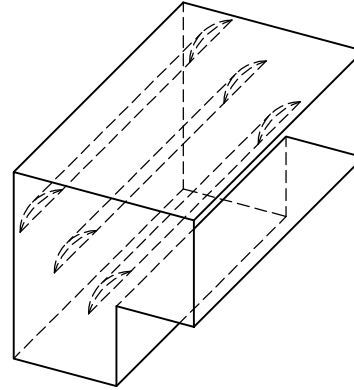
#### TRANSVERSE CONNECTIONS

ENDS STRAIGHT

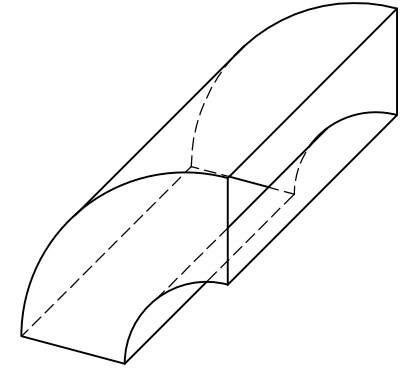
FLANGES TURNED IN OR OUT

S-LOCK AND DRIVE

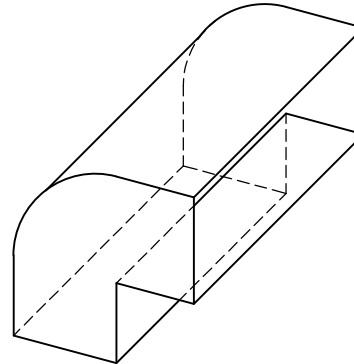
FLANGED BOLT TOGETHER



**SQUARE THROAT & SQUARE BACK  
with TURNING VANES**



**RADIUS THROAT & RADIUS BACK**



**SQUARE THROAT & RADIUS BACK**

#### SPECIAL NOTES