



6390 Philips Highway  
Jacksonville, FL 32216  
Phone (904) 737-7144

## SPECIFICATION DATA SHEET

# MODEL No. 406

### STARTING COLLAR

Date: 12/27/02

Drawn by: B.H.C.

#### DIMENSIONAL DATA

STANDARD 8" LONG.

DOVETAIL IS STANDARD.

INSIDE TAP IS AVAILABLE FOR INTERNALLY INSULATED DUCT.

BUILT TO DESIGN SPECIFICATIONS.

#### FABRICATION DATA

MATERIAL:

FABRICATED FROM HOT-DIPPED GALVANIZED STEEL SHEET OF LOCK FORMING QUALITY PER ASTM A653 CS TYPE B.

GAUGES AVAILABLE:

28, 26, 24, 22, 20 AND 18 GAUGE.

PITTSBURGH LOCK LONGITUDINAL SEAM IS STANDARD.

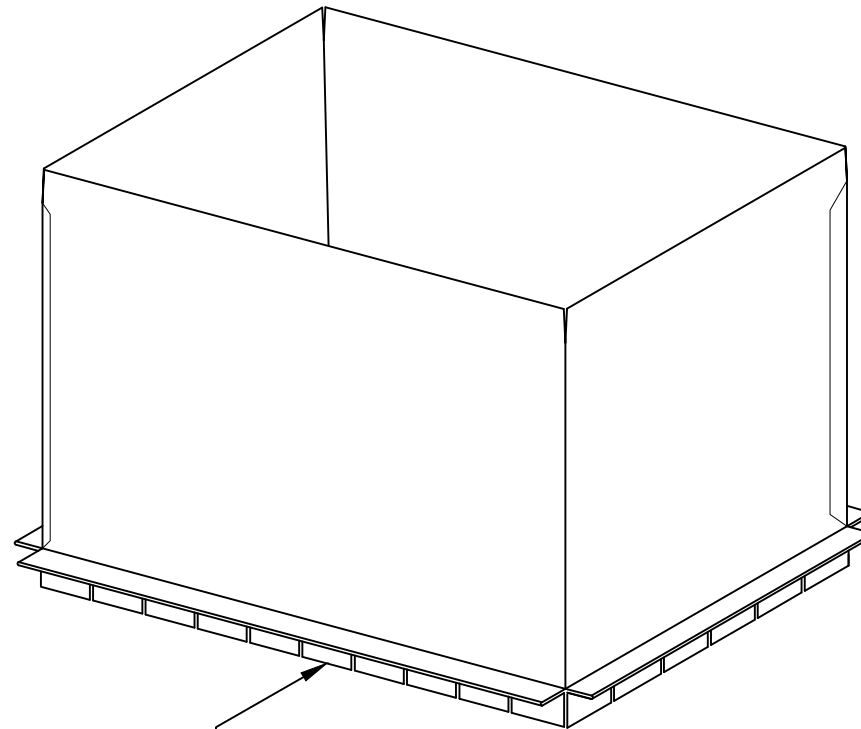
#### FEATURES

INTERNAL INSULATION AVAILABLE:  
1/2", 1" OR 1-1/2" THICK.

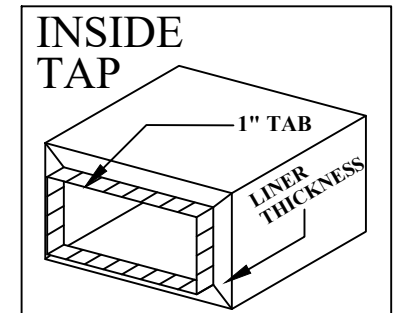
ASSEMBLED, READY FOR INSTALLATION.

#### TRANSVERSE CONNECTIONS

ENDS STRAIGHT  
FLANGES TURNED IN OR OUT  
S-LOCK AND DRIVE  
FLANGED BOLT TOGETHER



DOVETAIL



#### SPECIAL NOTES

18 GAUGE TO HAVE 1" FLANGE IN LIEU OF DOVETAIL.