



6390 Philips Highway
Jacksonville, FL 32216
Phone (904) 737-7144

SPECIFICATION DATA SHEET

MODEL No. 3720-DS

SPIN IN WITH MANUAL VOLUME DAMPER
AND DAMPER HANDLE STANDOFF

Date: 05/15/20 rev.

Drawn by: M.D.C.

DIMENSIONAL DATA

SIZES AVAILABLE: 4" THROUGH 20"

COLLAR LENGTH: 6"

FABRICATION DATA

MATERIAL:
HOT DIPPED GALVANIZED STEEL SHEET
PER ASTM-A653 CS TYPE B.

SIZE	BODY	DAMPER BLADE
4" - 8"	28 GA.	24 GA.
9" - 14"	26 GA.	24 GA.
16" - 20"	24 GA.	22 GA.

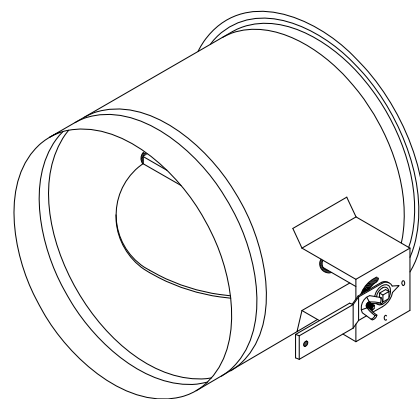
FEATURES

FABRICATED WITH CONTINUOUS WELD
LONGITUDINAL SEAM FOR NO AIR LEAKAGE
AT 2" W.G. STATIC PRESSURE.

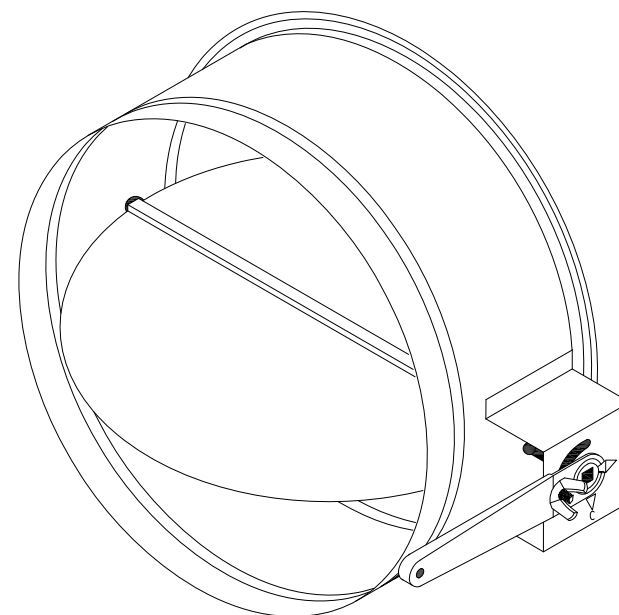
SIZES 4" THROUGH 12" HAVE MANUAL VOLUME
DAMPER WITH 1/4" CONTINUOUS ROD DAMPER
AXIS WITH LOCKING REGULATOR, GROMMETS
INSTALLED AT THE COLLAR PENETRATIONS.

SIZES 14" THROUGH 20" HAVE A 3/8" CONTINUOUS
ROD DAMPER AXIS WITH NYLON GROMMETS
INSTALLED AT COLLAR PENETRATIONS.

2" DAMPER HANDLE STANDOFF TO ALLOW
CLEARANCE FOR EXTERNAL INSULATION.



**CONFIGURATION OF
4" THROUGH 12" DIAMETERS**



**CONFIGURATION OF
14" THROUGH 20" DIAMETERS**

OPTIONS

NO. 3720: SPIN IN.

NO. 3720-D: SPIN IN WITH DAMPER

SPECIAL ORDER: SIZES 4" THROUGH 8" CAN BE
FABRICATED FROM 26 GAUGE GALVANIZED
STEEL.

SPECIAL NOTES

RECOMMENDED INSTALLATION: DAMPER AXIS PARALLEL TO AIR FLOW.

MADE TO MEET S.M.A.C.N.A. GAUGE STANDARDS. MAXIMUM 10" W.G. STATIC PRESSURE SCHEDULE.
(S.M.A.C.N.A. HVAC DUCT CONSTRUCTION STANDARDS, THIRD EDITION-2005)