



6390 Philips Highway
 Jacksonville, FL 32216
 Phone (904) 737-7144

SPECIFICATION DATA SHEET

MODEL No. 3720-D
 SPIN IN WITH MANUAL VOLUME DAMPER

Date: 03/07/19 rev. Drawn by: M.D.C.

DIMENSIONAL DATA

SIZES AVAILABLE: 4" THROUGH 20"
 COLLAR LENGTH: 6"

FABRICATION DATA

MATERIAL:
 HOT DIPPED GALVANIZED STEEL SHEET
 PER ASTM-A653 CS TYPE B.

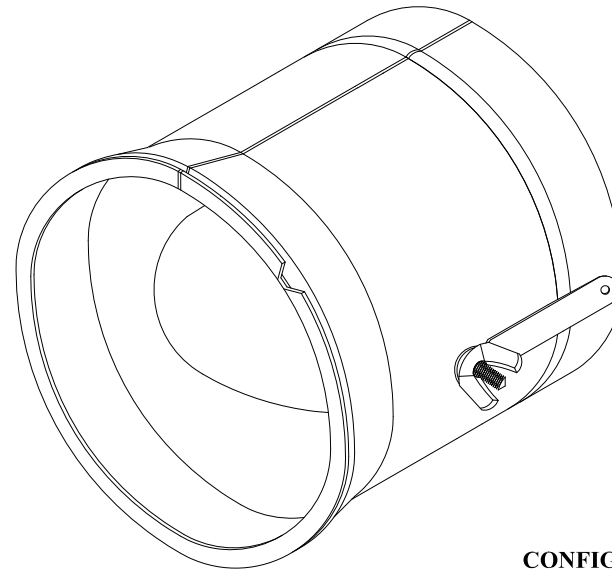
SIZE	BODY	DAMPER BLADE
4" - 8"	28 GA.	24 GA.
9" - 14"	26 GA.	24 GA.
16" - 20"	24 GA.	22 GA.

FEATURES

FABRICATED WITH CONTINUOUS WELD
 LONGITUDINAL SEAM FOR NO AIR LEAKAGE
 AT 2" W.G. STATIC PRESSURE.

SIZES 4" THROUGH 12" HAVE A REINFORCED
 DAMPER AXIS WITH 1/4" REGULATOR.

SIZES 14" THROUGH 20" HAVE A 3/8" CONTINUOUS
 ROD DAMPER AXIS WITH NYLON GROMMETS
 INSTALLED AT SLEEVE PENETRATIONS.



**CONFIGURATION OF
 4" THROUGH 12" DIAMETERS**

OPTIONS

- NO. 3720: SPIN IN.
- NO. 3720-DS: SPIN IN WITH DAMPER AND
 DAMPER HANDLE STANDOFF.
- NO. 3720-DS W/ SCOOP: SPIN IN WITH DAMPER,
 STANDOFF AND SCOOP.

SPECIAL NOTES

- RECOMMENDED INSTALLATION: DAMPER AXIS PARALLEL TO AIR FLOW.
- MADE TO MEET S.M.A.C.N.A. GAUGE STANDARDS. MAXIMUM 10" W.G. STATIC PRESSURE SCHEDULE.
 (S.M.A.C.N.A. HVAC DUCT CONSTRUCTION STANDARDS, THIRD EDITION-2005)