



6390 Philips Highway
Jacksonville, FL 32216
Phone (904) 737-7144

SPECIFICATION DATA SHEET

Date: 05/14/20 rev.

Drawn by: M.D.C.

MODEL No. 3710-DS

TAKEOFF WITH GASKET RING, MANUAL VOLUME
DAMPER, AND 2" DAMPER HANDLE STANDOFF

DIMENSIONAL DATA

SIZES: 4" THROUGH 20" DIAMETER

COLLAR LENGTH 6" ALL SIZES

FABRICATION DATA

MATERIAL:
HOT DIPPED GALVANIZED STEEL SHEET
PER ASTM-A653 CS TYPE B.

SIZE	BODY	DAMPER BLADE
4" - 8"	28 GA.	24 GA.
9" - 14"	26 GA.	24 GA.
16" - 20"	24 GA.	22 GA.

AIR FLOW CHARACTERISTICS

BASED ON 700 F/M VELOCITY IN MAIN DUCT, 600
F/M VELOCITY IN BRANCH DUCT. DESIGN
FRICTION LOSS OF .15" W.G. PER 100 FT. OF DUCT.
PRESSURE LOSS IN EQUIVALENT FEET OF
BRANCH DUCT = 25FT.

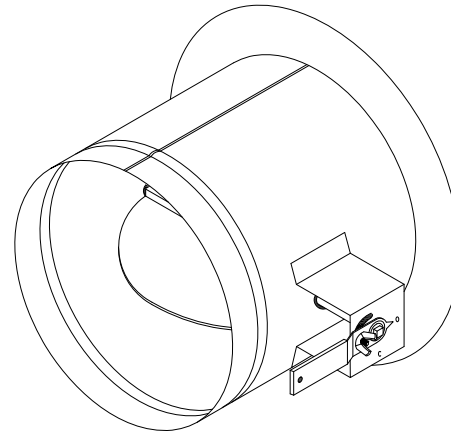
FEATURES

FABRICATED WITH CONTINUOUS WELD
LONGITUDINAL SEAM FOR NO AIR LEAKAGE
AT 2" W.G. STATIC PRESSURE.

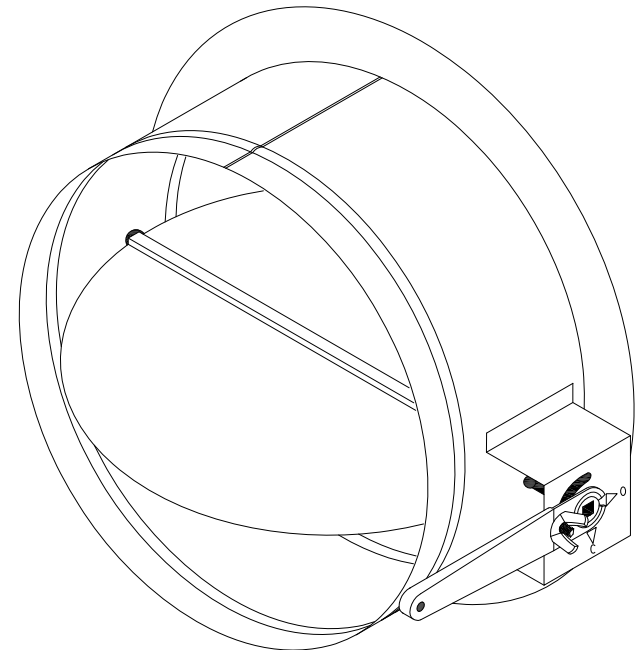
FABRICATED WITH 1" WIDE GASKETED FLANGE
WITH PRE-DRILLED SCREWS HOLES FOR EASE
OF INSTALLATION.

2" DAMPER HANDLE STANDOFF TO ALLOW
CLEARANCE FOR EXTERNAL INSULATION.

MADE TO MEET S.M.A.C.N.A. GAUGE STANDARDS.
MAXIMUM 10" W.G. STATIC PRESSURE.
(S.M.A.C.N.A. HVAC DUCT CONSTRUCTION
STANDARDS, THIRD EDITION - 2005)



CONFIGURATION OF
4" THROUGH 12" DIAMETERS



CONFIGURATION OF
14" THROUGH 20" DIAMETERS

SPECIAL NOTES

RECOMMENDED INSTALLATION: DAMPER AXIS PARALLEL TO AIR FLOW.

SIZES 4" THROUGH 12" HAVE MANUAL VOLUME DAMPER WITH 1/4" CONTINUOUS ROD DAMPER
AXIS WITH LOCKING REGULATOR, GROMMETS INSTALLED AT THE COLLAR PENETRATIONS.

SIZES 14" THROUGH 20" HAVE MANUAL VOLUME DAMPER WITH 3/8" CONTINUOUS ROD DAMPER
AXIS WITH LOCKING REGULATOR, GROMMETS INSTALLED AT THE COLLAR PENETRATIONS.