



6390 Philips Highway
 Jacksonville, FL 32216
 Phone (904) 737-7144

SPECIFICATION DATA SHEET

MODEL No. 341-P

ROOF JACK FOR PITCHED ROOF

Date: 05/28/08 rev.

Drawn by: M.D.C.

DIMENSIONAL DATA

"A"	"B"	"C"
4"	6"	12"
5"	7"	13"
6"	8"	14"
7"	9"	15"
8"	10"	16"
9"	11"	17"
10"	14"	20"

"H" = MINIMUM 10"

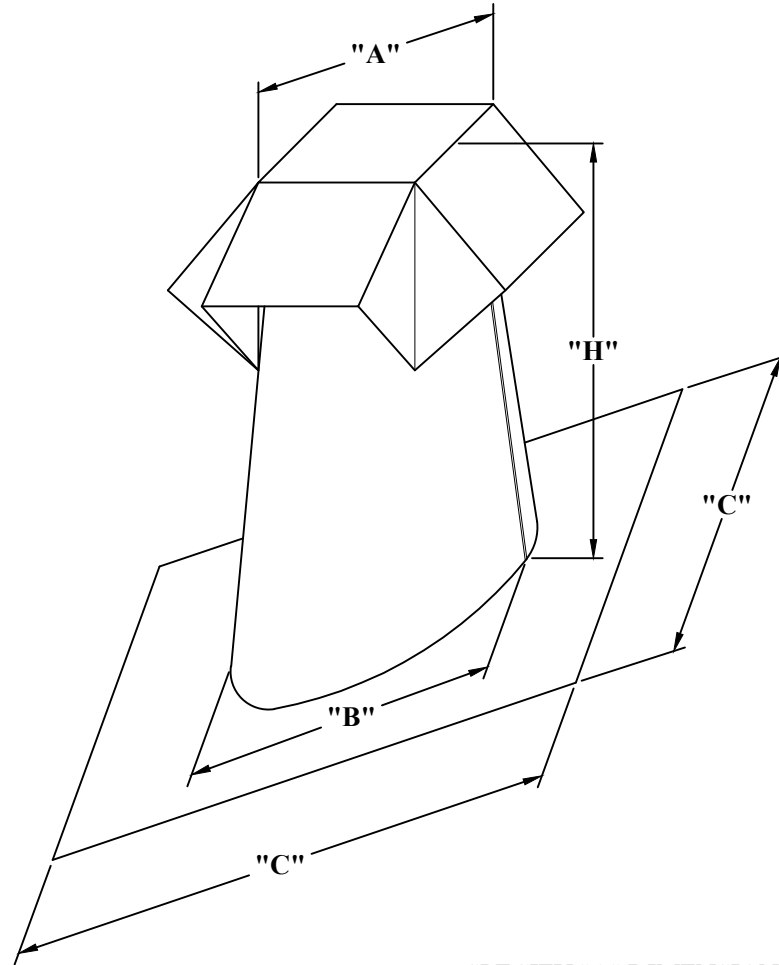
STANDARD 4/12 PITCH

FABRICATION DATA

MATERIAL: 28 GAUGE GALVANIZED STEEL SHEET PER ASTM A653 CS TYPE B.

FEATURES

2" AIR SPACE FROM TOP OF CONE TO CAP.
 CONE SPOT WELDED TO FLASHING AND SEALED WITH SILICONE SEALANT.



SPECIFY "A" DIMENSION WHEN ORDERING.

OPTIONS

SPECIAL NOTES

WE DO NOT WARRANT THESE ROOF MOUNTED FITTINGS TO BE LEAK-PROOF AGAINST ALL WEATHER CONDITIONS.
 WE DO NOT GUARANTEE THE FITTINGS WILL PREVENT RAIN WATER INTRUSION FROM WIND BLOWN RAIN OR TORRENTIAL STORM CONDITIONS.
 ADDITIONAL SEALING MIGHT BE NECESSARY AT THE DISCRETION OF THE INSTALLER.