



6390 Philips Highway
Jacksonville, FL 32216
Phone (904) 737-7144

SPECIFICATION DATA SHEET

MODEL No. 3300

45° TAKEOFF with GASKET FLANGE

Date: 03/06/19 rev.

Drawn by: M.D.C.

DIMENSIONAL DATA

DIAMETER	RECT. OPENING	HEIGHT
4"	8" x 6"	11 1/2"
5"	10" x 6"	10 1/2"
6"	12" x 6"	10 1/2"
7"	12" x 6"	11 1/2"
8"	12" x 6"	10 1/2"
9"	15" x 6"	12 1/2"
10"	16" x 6 3/4"	12"
12"	18" x 8 1/2"	12"
14"	20" x 9 1/2"	12 1/2"
16"	24" x 12"	13 1/2"
18"	26" x 14"	14"
20"	28" x 16"	16"

FABRICATION DATA

MATERIAL:
HOT DIPPED GALVANIZED STEEL SHEET
PER ASTM-A653 CS TYPE B.

GAUGES:
4" THROUGH 8" = 28 GAUGE
9" THROUGH 14" = 26 GAUGE
16" THROUGH 20" = 24 GAUGE

FEATURES

CONTINUOUS WELD LONGITUDINAL SEAM
FOR NO AIR LEAKAGE AT 2" W.G. STATIC
PRESSURE.

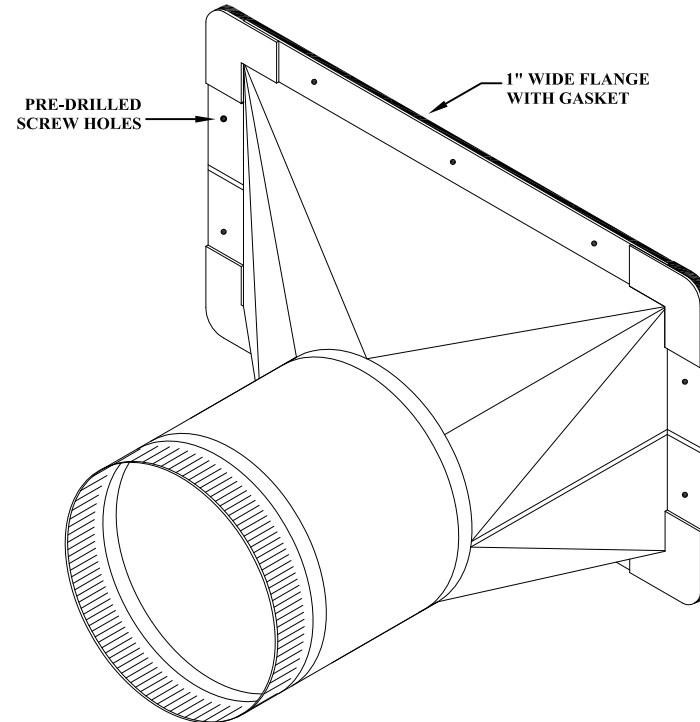
5 3/8" LONG COLLAR.

1" WIDE FLANGE WITH GASKET AND
PRE-DRILLED SCREW HOLES FOR EASE OF
INSTALLATION.

OPTIONS

No. 3300-D: 45° TAKEOFF WITH MANUAL
VOLUME DAMPER.

No. 3300-DS: 45° TAKEOFF WITH
MANUAL VOLUME DAMPER AND
DAMPER HANDLE STAND-OFF.



SPECIAL NOTES

MADE TO MEET S.M.A.C.N.A. GAUGE STANDARDS. MAXIMUM 10" W.G. STATIC PRESSURE SCHEDULE.
(S.M.A.C.N.A. HVAC DUCT CONSTRUCTION STANDARDS, THIRD EDITION - 2005)

AVAILABLE: SIZES 4" - 14" FABRICATED FROM 24 GAUGE GALVANIZED STEEL (SPECIAL ORDER).