



6390 Philips Highway  
Jacksonville, FL 32216  
Phone (904) 737-7144

## SPECIFICATION DATA SHEET

Date: 03/16/19 rev.

Drawn by: M.D.C.

**MODEL No. 3300-D**  
45° TAKEOFF WITH GASKET FLANGE  
AND MANUAL VOLUME DAMPER

### DIMENSIONAL DATA

DIAMETER	RECT. OPENING	HEIGHT
4"	8" x 6"	11 1/2"
5"	10" x 6"	10 1/2"
6"	12" x 6"	10 1/2"
7"	12" x 6"	11 1/2"
8"	12" x 6"	10 1/2"
9"	15" x 6"	12 1/2"
10"	16" x 6 3/4"	12"
12"	18" x 8 1/2"	12"
14"	20" x 9 1/2"	12 1/2"
16"	24" x 12"	13 1/2"
18"	26" x 14"	14"
20"	28" x 16"	16"

### FABRICATION DATA

MATERIAL:  
HOT DIPPED GALVANIZED STEEL SHEET  
PER ASTM-A653 CS TYPE B.

SIZE	BODY	DAMPER BLADE
4" - 8"	28 GA.	24 GA.
9" - 14"	26 GA.	24 GA.
16" - 20"	24 GA.	22 GA.

### FEATURES

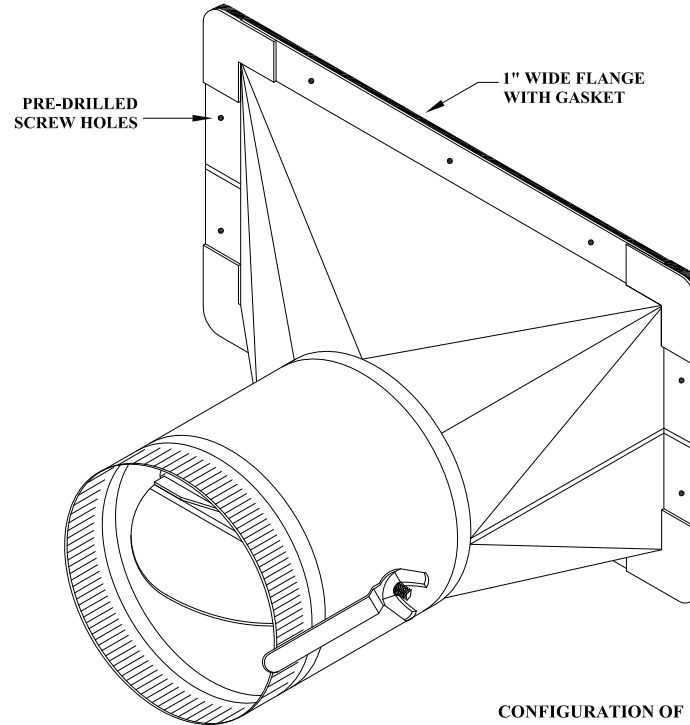
CONTINUOUS WELD LONGITUDINAL SEAM  
FOR NO AIR LEAKAGE AT 2" W.G. STATIC  
PRESSURE.

5 3/8" LONG COLLAR.

1" WIDE FLANGE WITH GASKET AND  
PRE-DRILLED SCREW HOLES FOR EASE OF  
INSTALLATION.

SIZES 4" THROUGH 12": REINFORCED DAMPER  
AXIS WITH 1/4" REGULATOR, END BEARING  
WITH WASHER AND WING NUT.

SIZES 14" THROUGH 20": 3/8" CONTINUOUS ROD  
DAMPER AXIS WITH LOCKING REGULATOR,  
NYLON GROMMETS INSTALLED AT THE  
COLLAR PENETRATIONS.



CONFIGURATION OF  
4" THROUGH 12" DIAMETERS

### SPECIAL NOTES

RECOMMENDED INSTALLATION: DAMPER AXIS PARALLEL TO AIR FLOW.

MADE TO MEET S.M.A.C.N.A. GAUGE STANDARDS. MAXIMUM 10" W.G. STATIC PRESSURE SCHEDULE.  
(S.M.A.C.N.A. HVAC DUCT CONSTRUCTION STANDARDS, THIRD EDITION - 2005)