



6390 Philips Highway
Jacksonville, FL 32216
Phone (904) 737-7144

SPECIFICATION DATA SHEET

Date: 11/12/19 rev.

Drawn by: M.D.C.

MODEL No. 3210-DS

CONICAL TAKEOFF WITH GASKET RING,
MANUAL VOLUME DAMPER WITH
DAMPER HANDLE STANDOFF

DIMENSIONAL DATA

SIZES AVAILABLE: 4" THROUGH 20" DIAMETER
ORDER BY BRANCH DUCT DIMENSION.

HOLE DIMENSION TO BE CUT IN TRUNK DUCT IS
2" GREATER THAN BRANCH DUCT.

FABRICATION DATA

MATERIAL:
FABRICATED FROM HOT DIPPED GALVANIZED
STEEL SHEETS PER ASTM-A653 CS TYPE B.

SIZE	BODY	DAMPER BLADE
4" - 8"	28 GA.	24 GA.
9" - 14"	26 GA.	24 GA.
16" - 20"	24 GA.	22 GA.

FEATURES

CONTINUOUS WELD LONGITUDINAL SEAM
FOR NO AIR LEAKAGE AT 2" W.G. STATIC
PRESSURE.

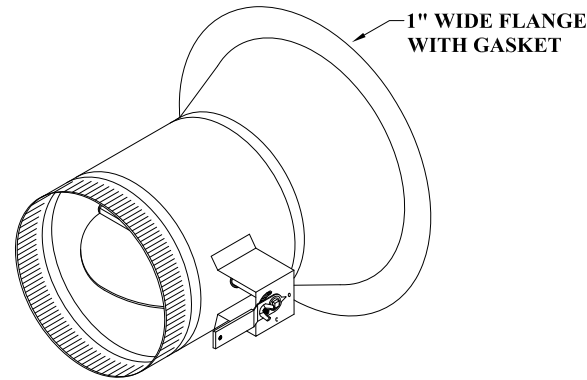
1" WIDE FLANGE WITH GASKET AND
PRE-DRILLED SCREW HOLES FOR EASE OF
INSTALLATION.

5 3/8" LONG COLLAR.

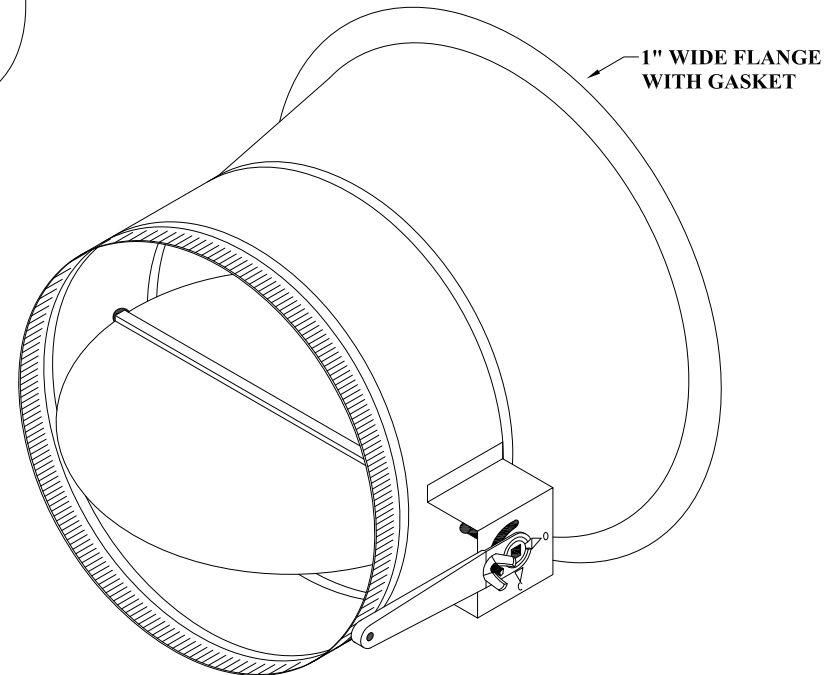
SIZES 4" THROUGH 12" HAVE MANUAL VOLUME
DAMPER WITH 1/4" CONTINUOUS ROD DAMPER
AXIS WITH LOCKING REGULATOR, GROMMETS
INSTALLED AT THE COLLAR PENETRATIONS.

SIZES 14" THROUGH 20" HAVE 3/8" CONTINUOUS
ROD DAMPER AXIS WITH LOCKING REGULATOR,
NYLON GROMMETS INSTALLED AT THE
COLLAR PENETRATIONS.

2" DAMPER HANDLE STANDOFF.



CONFIGURATION OF
4" THROUGH 12" DIAMETERS



CONFIGURATION OF
14" THROUGH 20" DIAMETERS

OPTIONS

No. 3210: CONICAL TAKEOFF

No. 3210-D: CONICAL TAKEOFF WITH MANUAL
VOLUME DAMPER

No. 3210-DS2: CONICAL TAKEOFF WITH 3/8" SOLID
ROD DAMPER AXIS SIZES 4" - 12"

SPECIAL NOTES

RECOMMENDED INSTALLATION: DAMPER AXIS PARALLEL TO AIR FLOW.

MADE TO MEET S.M.A.C.N.A. GAUGE STANDARDS. MAXIMUM 10" W.G. STATIC PRESSURE SCHEDULE.
(S.M.A.C.N.A. HVAC DUCT CONSTRUCTION STANDARDS, THIRD EDITION-2005)

AVAILABLE: SIZES 4" - 8" FABRICATED FROM 26 GAUGE GALVANIZED STEEL (SPECIAL ORDER).