



6390 Philips Highway
Jacksonville, FL 32216
Phone (904) 737-7144

SPECIFICATION DATA SHEET

MODEL No. 3210-BDS

CONICAL BELLMOUTH TAKEOFF
WITH MANUAL VOLUME DAMPER
AND 2" DAMPER HANDLE STANDOFF

Date: 05/14/20 rev.

Drawn by: M.D.C.

DIMENSIONAL DATA

SIZES AVAILABLE: 6", 8", 10" AND 12"

BRANCH DUCT DIMENSION	TRUNK DUCT HOLE DIMENSION
6"	9"
8"	11"
10"	13"
12"	15"

6"	9"
8"	11"
10"	13"
12"	15"

5 3/8" LONG COLLAR.

FABRICATION DATA

COLLAR FABRICATED FROM 26 GAUGE
GALVANIZED STEEL SHEET.

CONICAL BELLMOUTH BASE FABRICATED FROM
.045" THICK ALUMINUM.

BRANCH DUCT DIMENSION	DAMPER BLADE GAUGE
6"	24
8"	24
10"	24
12"	24

6"	24
8"	24
10"	24
12"	24

AIR FLOW CHARACTERISTICS

BASED ON 900 F/M VELOCITY IN MAIN DUCT;
700 F/M VELOCITY IN BRANCH DUCT.
DESIGN FRICTION LOSS OF .15" W.G. PER 100 FT.
OF DUCT. PRESSURE LOSS IN EQUIVALENT FEET
OF BRANCH DUCT = 2 FT.

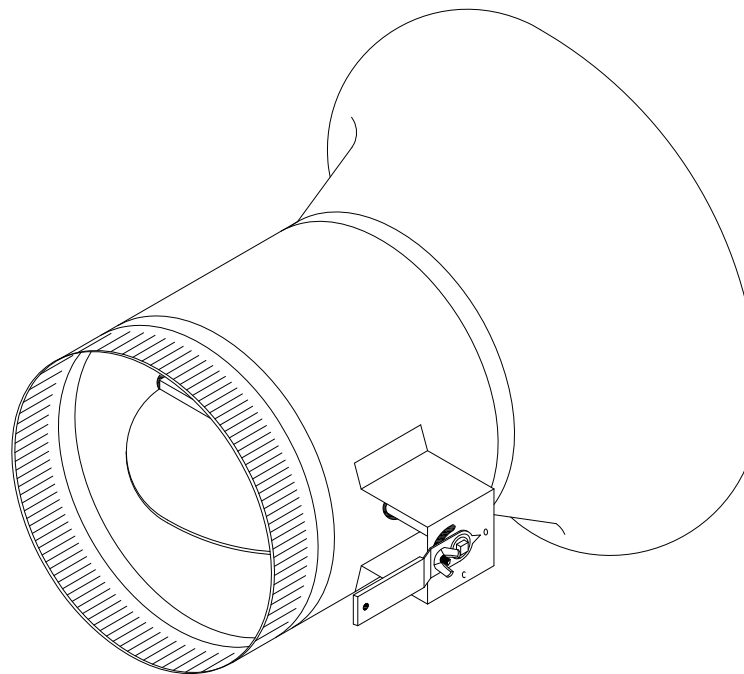
FEATURES

COLLAR FABRICATED WITH CONTINUOUS WELD
LONGITUDINAL SEAM.

ONE PIECE ALUMINUM BELLMOUTH BASE.

3/4" WIDE FLANGE WITH THERMA SEAL GASKET
AND PRE-DRILLED SCREW HOLES FOR EASY
INSTALLATION.

MANUAL VOLUME DAMPER WITH 1/4" CONTINUOUS
ROD DAMPER AXIS WITH LOCKING REGULATOR,
GROMMETS INSTALLED AT THE COLLAR
PENETRATIONS.



SPECIAL NOTES

RECOMMENDED INSTALLATION: DAMPER AXIS PARALLEL TO AIR FLOW.

GALVANIC REACTION IS THE CORROSION THAT CAN OCCUR WHEN TWO DISSIMILAR METALS ARE
IN PERMANENT CONTACT. THE GALVANIC SERIES LISTS METALS ACCORDING TO THEIR TENDENCY
TO CORRODE.

METALS CLOSE TOGETHER ON THE GALVANIC SERIES DO NOT HAVE A STRONG AFFECT ON EACH
OTHER. ALUMINUM AND ZINC OCCUR NEXT TO EACH OTHER ON THE GALVANIC SERIES.
ELECTROLYSIS BETWEEN THESE TWO METALS WILL NOT LIKELY TAKE PLACE UNLESS THE UNION
IS IMMERSSED IN SEA WATER FOR A LONG PERIOD OF TIME.

SOURCES: "METALS HANDBOOK 1985", AMERICAN SOCIETY FOR METALS, METALS PARK, OH 44073
"MATERIALS SCIENCE AND ENGINEERING", W.D. CALLISTER, JR., JOHN WILEY AND
SONS, INC. 1985.