



6390 Philips Highway  
Jacksonville, FL 32216  
Phone (904) 737-7144

## SPECIFICATION DATA SHEET

# MODEL No. 309

### SIDE TAKEOFF

Date: 11/27/02 rev.      Drawn by: M.D.C.

#### DIMENSIONAL DATA

DIAMETER	RECT. HOLE DIMENSION
4"	4" x 6"
5"	6" x 8"
6"	6" x 10"
7"	6" x 11"
8"	6" x 12"
9"	6" x 14"
10"	7" x 14"
12"	9" x 16-1/2"
14"	9" x 18"

#### FABRICATION DATA

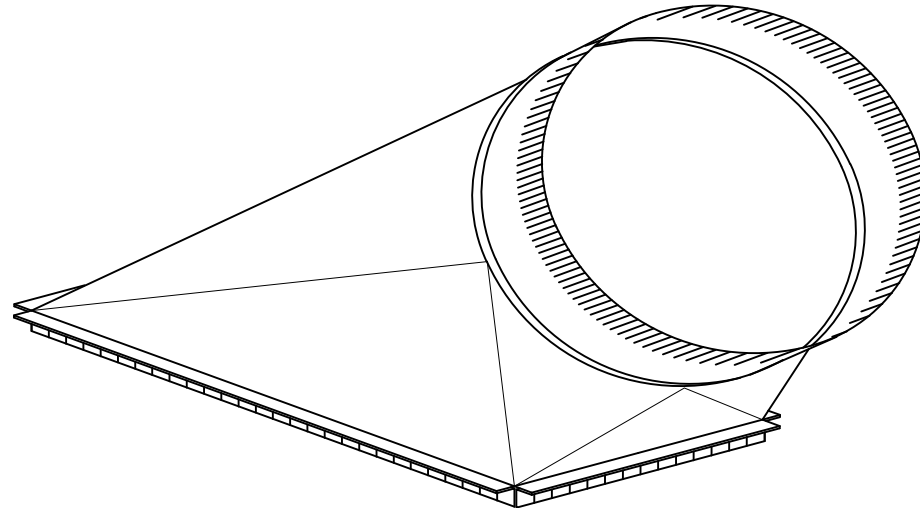
MATERIAL:  
HOT DIPPED GALVANIZED STEEL SHEET OF  
LOCK FORMING QUALITY PER ASTM-653 CS  
TYPE B.

4" THROUGH 9" = 30 GAUGE  
10" THROUGH 12" = 28 GAUGE  
14" = 26 GAUGE

#### FEATURES

RECTANGULAR END FLANGED WITH STRAIGHT  
TABS FOR CONNECTION TO RECTANGULAR  
TRUNK DUCT.

ROUND END CRIMPED FOR BRANCH PIPE.



#### OPTIONS

#### SPECIAL NOTES