



6390 Philips Highway
 Jacksonville, FL 32216
 Phone (904) 737-7144

SPECIFICATION DATA SHEET

MODEL No. 308

TOP TAKEOFF

Date: 08/03/07 rev.

Drawn by: M.D.C.

DIMENSIONAL DATA

DIAMETER	RECT. HOLE DIMENSION	
	"A" x "B"	"X"
4"	6" x 8"	2.5"
5"	6" x 8"	
6"	6" x 8"	2"
7"	6" x 10"	
8"	6" x 12"	2"
9"	8" x 12"	
10"	8" x 14"	3.5"
12"	14" x 16"	2.5"
14"	14" x 18"	1"

FABRICATION DATA

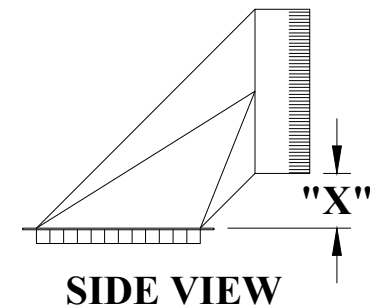
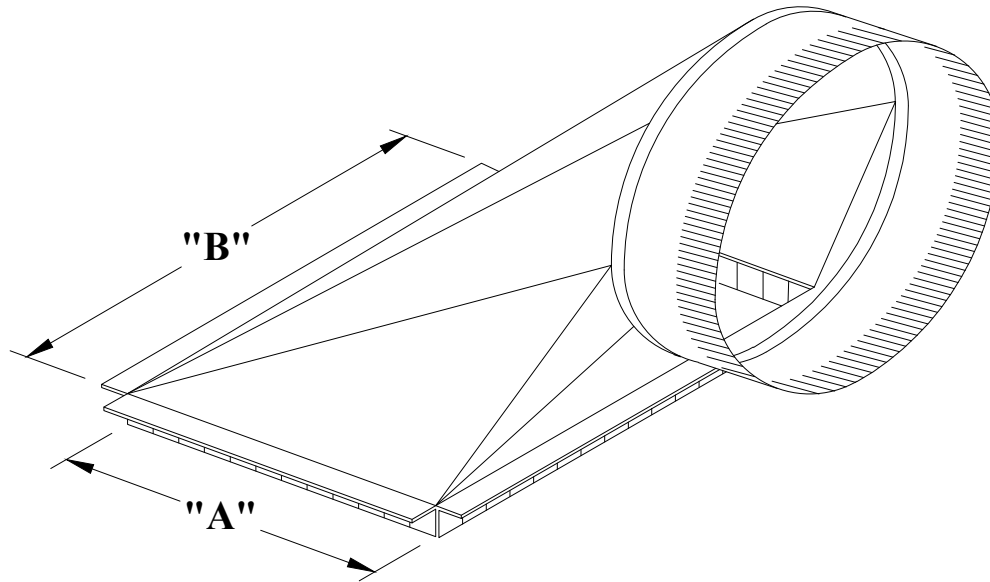
MATERIAL:
 HOT DIPPED GALVANIZED STEEL SHEET OF
 LOCK FORMING QUALITY PER ASTM-653 CS
 TYPE B.

4" THROUGH 9" = 30 GAUGE
 10" THROUGH 12" = 28 GAUGE
 14" = 26 GAUGE

FEATURES

RECTANGULAR END FLANGED WITH STRAIGHT
 TABS FOR CONNECTION TO RECTANGULAR
 TRUNK DUCT.

ROUND END COLLAR CRIMPED FOR BRANCH PIPE.



OPTIONS

SPECIAL NOTES