



6390 Philips Highway
 Jacksonville, FL 32216
 Phone (904) 737-7144

SPECIFICATION DATA SHEET

MODEL No. 306

ADJUSTABLE TAKEOFF

Date: 11/26/02 rev. Drawn by: M.D.C.

DIMENSIONAL DATA

DIAMETER	RECT. HOLE DIMENSION
4"	4" x 6"
5"	6" x 8"
6"	6" x 10"
7"	6" x 11"
8"	6" x 12"
9"	6" x 14"
10"	7" x 14"
12"	9" x 16-1/2"
14"	9" x 18"

FABRICATION DATA

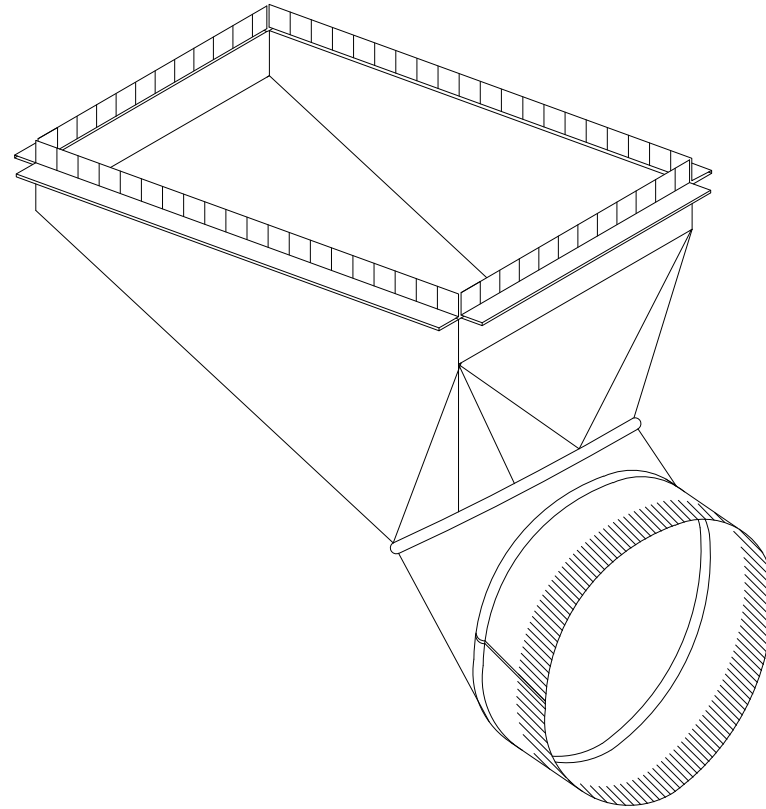
MATERIAL:
 HOT DIPPED GALVANIZED STEEL SHEET OF
 LOCK FORMING QUALITY PER ASTM-653 CS
 TYPE B.

4" THROUGH 9" = 30 GAUGE
 10" THROUGH 12" = 28 GAUGE
 14" = 26 GAUGE

FEATURES

RECTANGULAR END FLANGED WITH STRAIGHT
 TABS FOR CONNECTION TO RECTANGULAR
 TRUNK DUCT.

ROUND END HAS 45 DEGREE ADJUSTABLE
 ANGLE CRIMPED FOR BRANCH PIPE.



OPTIONS

SPECIAL NOTES