



6390 Philips Highway
Jacksonville, FL 32216
Phone (904) 737-7144

SPECIFICATION DATA SHEET

Date: 7/30/03 rev. Drawn by: DON. JR.

MODEL No. 269

SIDE ENTRY REGISTER BOX

DIMENSIONAL DATA

HEIGHT OF BOX = DIAMETER OF THE COLLAR
PLUS 5"

COLLAR = 3" LONG.

RECTANGULAR OPENING IS SIZED TO FIT
STANDARD REGISTER SIZES.

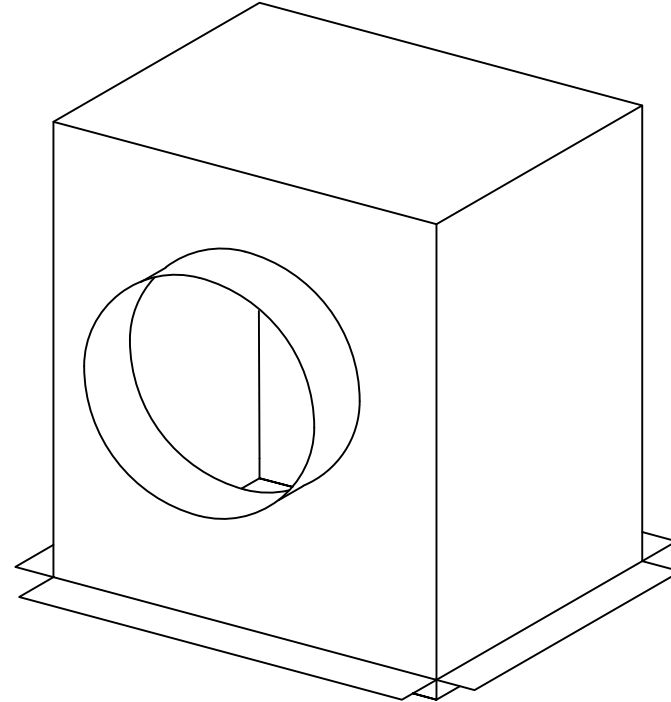
FABRICATION DATA

FABRICATED FROM HOT DIPPED GALVANIZED
STEEL SHEET OF LOCK FORMING QUALITY
PER ASTM-A653 CS TYPE B.

GAUGE: OUTER BOX 28 GA.
COLLAR 30 GA.

FEATURES

1/2" DRYWALL FLANGE.



OPTIONS

No. 1269-FL INSULATED REGISTER BOX WITH
R-6.0 INTERNAL INSULATION.

No. 1269 INSULATED REGISTER BOX WITH
R-4.2 INTERNAL INSULATION.

SPECIAL NOTES