



6390 Philips Highway  
Jacksonville, FL 32216  
Phone (904) 737-7144

## SPECIFICATION DATA SHEET

## MODEL No. 261-D

6" LONG STARTING COLLAR FOR SHEET METAL  
WITH MANUAL VOLUME DAMPER

Date: 10/20/09 rev.

Drawn by: Don. JR.

### DIMENSIONAL DATA

SIZES AVAILABLE: 4" THROUGH 20"

COLLAR OVERALL LENGTH: 6"

### FABRICATION DATA

MATERIAL: FABRICATED FROM GALVANIZED  
STEEL SHEET, ASTM-A653 CS TYPE B.

GAUGES: ALL SIZES 30 GAUGE.

RIVETED LONGITUDINAL SEAM.

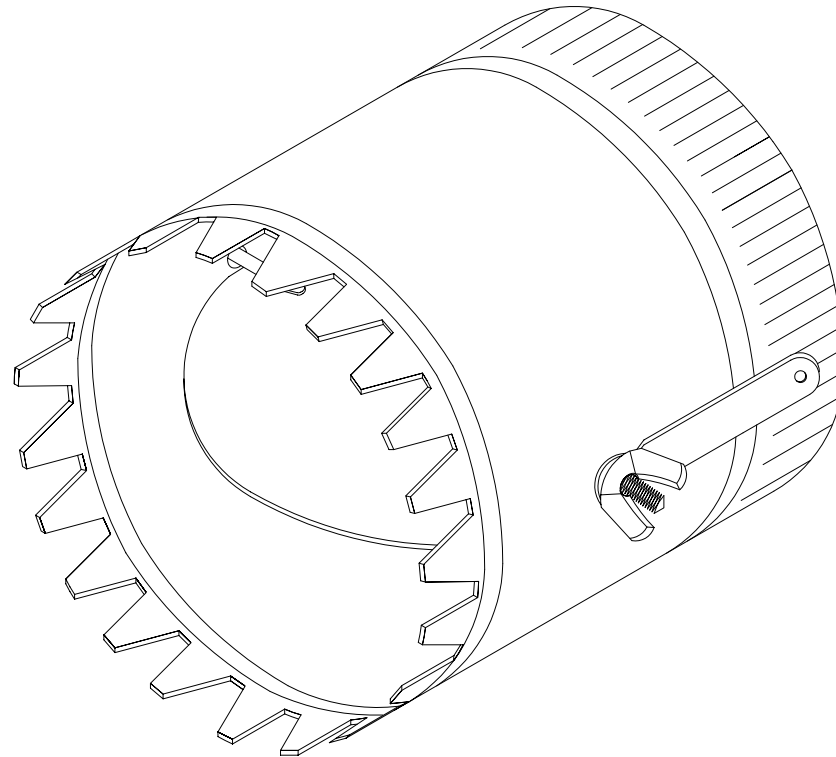
### FEATURES

5/8" LONG DOVETAILS FOR EASE OF  
INSTALLATION.

CRIMP AND BEAD MALE END FOR BRANCH  
DUCT CONNECTION.

SIZES 4" THROUGH 10" HAVE DAMPER WITH 1/4"  
REGULATOR.

SIZES 12" THROUGH 20" HAVE REINFORCED  
DAMPER AXIS WITH 1/4" REGULATOR, END  
BEARING WITH WASHER AND WING NUT.



### OPTIONS

261: 3" LONG COLLAR

261-L: 6" LONG COLLAR

### SPECIAL NOTES

RECOMMENDED INSTALLATION: DAMPER AXIS PARALLEL TO AIR FLOW.