



6390 Phillips Highway
Jacksonville, FL 32216
Phone (904) 737-7144

SPECIFICATION DATA SHEET

MODEL No. 233

90° ANGLE WALL STACK BOOT

Date: 05/27/08 rev.

Drawn by: Don. JR.

DIMENSIONAL DATA

STANDARD SIZES AVAILABLE:

3-1/4" x 10" - 4", 5", 6", 7"

3-1/4" x 12" - 6", 7"

3-1/4" x 14" - 7", 8"

FABRICATION DATA

MATERIAL:

FABRICATED FROM HOT DIPPED GALVANIZED
STEEL SHEETS OF LOCK FORMING QUALITY
PER ASTM-A653 CS TYPE B.

GAUGES:

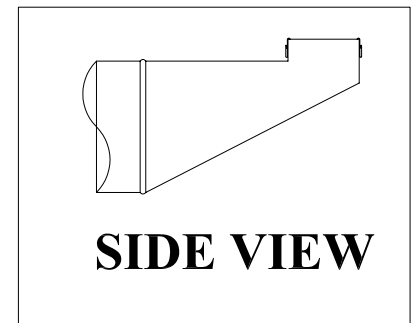
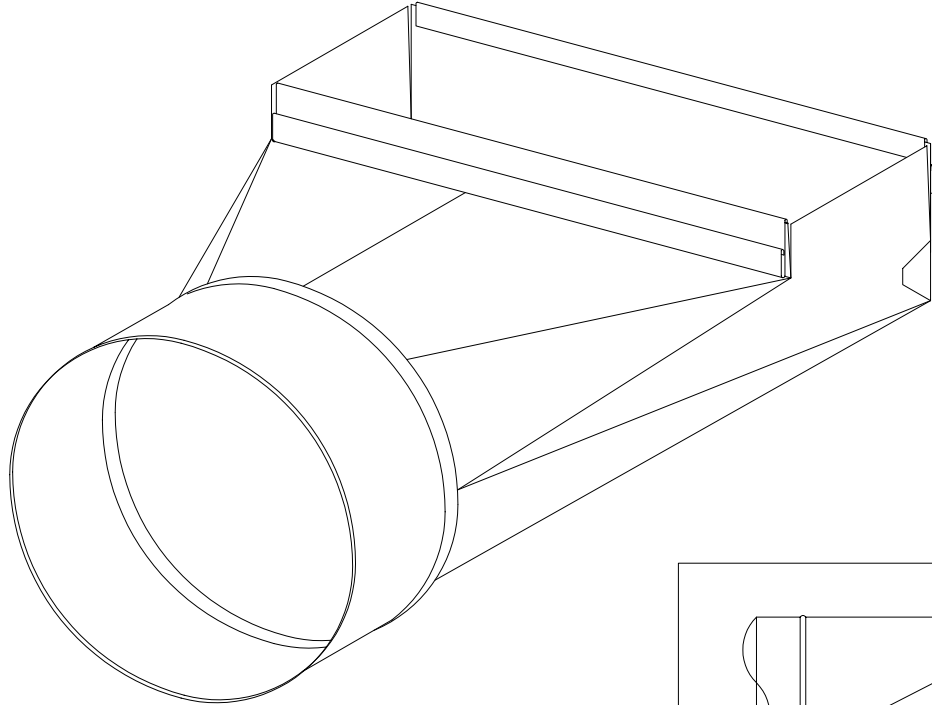
ALL SIZES = 30 GAUGE

FEATURES

1" STRAIGHT ON RECTANGULAR END

STACKING CLIPS INSTALLED ON RECTANGULAR
END FOR ATTACHMENT TO WALL STACK DUCT
WORK

ROUND COLLAR HAS STRAIGHT (RAW)
FEMALE CONNECTION.



OPTIONS

SPECIAL NOTES